

# Step Up Deco

Specification Sheet



## Ordering Information

Model	Length	Power	Color Temp.	Optics	Voltage	Options
SD	324 624 1224	H	27 30 40 RGBW	SP FL GR	24	C* C3 C6 C9



### Application

- Architectural and landscape lighting
- Large interior lobby spaces
- Recessed floor installation
- Gravel, soil or concrete
- UL STD 1598, IP67, Wet location, drive over rated 1500 kg (3300 lb)

### Luminaire

- Continuous run of standard lengths
- Remote power supply
- Stainless steel type 304 body
- Snap in installation with no exposed hardware
- Installation housing, stainless steel type 304 construction, direct concrete pour
- Supplied with oil and water resistant 1m (3,3') feed cable as standard
- IK10, Clear tempered glass, 10mm (3/8") thick

### Color Temperature

- 27 - 2700K
- 30 - 3000K
- 40 - 4000K
- RGBW (W 3000K)
- 2 Step MacAdam
- CRI: > 85

### Optics

- SP - Spot - 13°
- FL - Flood - 31°
- GR - Graze - 14° x 40°

### Voltage

- 24 - 24VDC fixture voltage

### Options

- C\* - standard feed cable 1m (3,3')
- C3 - luminaire supplied with 3m (10') feed cable
- C6 - luminaire supplied with 6m (20') feed cable
- C9 - luminaire supplied with 9m (30') feed cable

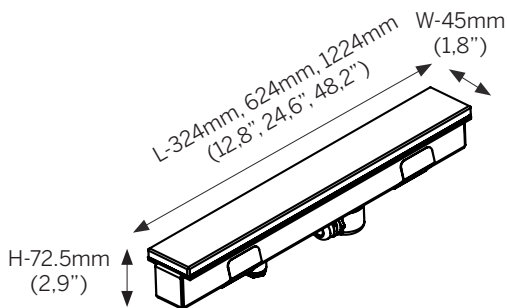
### Installation housing

- SU305 - 324mm (12,8")
- SU307 - 624mm (24,6")
- SU309 - 1224mm (48,2")

### POWER SUPPLIES

List of proposed power supplies that are to be ordered separately. Please click [link](#) for list of available drivers.

Click [here](#) for voltage drop and distances.



### Length

- 324mm (12,8")
- 624mm (24,6")
- 1224mm (48,2")

### Optimal fixture positioning

- Max. 50mm between fixtures for continuous light effect

### Power - Delivered lumens

- H - 39W/m, 2700K - 4000K, 3160lm
- H - 39W/m, RGBW (W 3000K)

International: +385 52 255 324 [filixlighting.com](http://filixlighting.com)

[info@filixlighting.com](mailto:info@filixlighting.com)

Europe/GmbH: [info@filixlighting.com](mailto:info@filixlighting.com)

Europe MENA: [info@filixlighting.com](mailto:info@filixlighting.com)

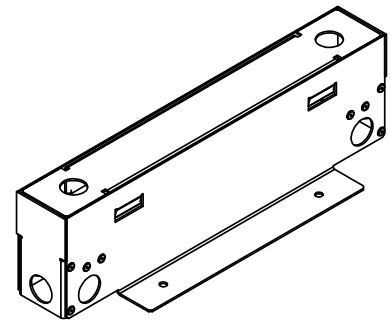
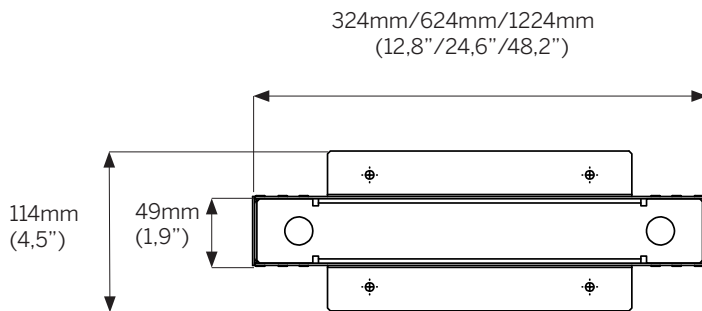
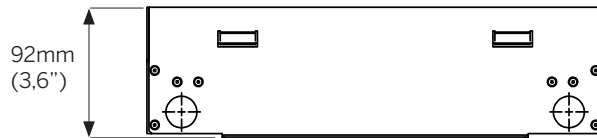
North America: [filixlighting-usa.com](http://filixlighting-usa.com) [info@filixlighting.com](mailto:info@filixlighting.com)

Filix reserves the right to make technical changes without notice.

Note:  
For details on specific depths, tiling thickness and other please refer to both Installation instructions for fixture and housing.

Installation housing - SU305 / SU307 / SU309

Installation details



International: +385 52 255 324 [filixlighting.com](http://filixlighting.com)  
[info@filixlighting.com](mailto:info@filixlighting.com)  
Europe/GmbH: [info@filixlighting.com](mailto:info@filixlighting.com)  
Europe MENA: [info@filixlighting.com](mailto:info@filixlighting.com)  
North America: [filixlighting-usa.com](http://filixlighting-usa.com) [info@filixlighting.com](mailto:info@filixlighting.com)

Filix reserves the right to make technical changes without notice.