

SQW100 Wall Wash

Specification Sheet

FILIX



Ordering Information

Model	Installation	Power	Color Temp.	Optics	Voltage	Options
SQW100	TM TS	H	27 30 40	WW	24	C* C3 C6 C9



Application

- Architectural and landscape lighting
- Recessed floor installation
- Gravel, soil or concrete
- Wall Wash
- UL STD 1598, IP67, Wet location, drive over rated 1500kg(3300 lb)

Luminaire

- Sustainable design, replaceable LED module
- AGS - Anti Glare System
- High performance optics
- Remote power supply
- Clear tempered glass 15mm (5/8") thick
- ABS/Stainless steel type 304 fixture body
- Stainless steel type 304 flange
- Snap in installation with no exposed hardware
- Supplied with oil and water resistant 0,3m (1') feed cable as standard
- IK10

Color Temperature

- 27 - 2700K
- 30 - 3000K
- 40 - 4000K
- 2 Step MacAdam
- CRI: > 85

Optics

- WW - WallWash - 32°x 47°, tilt 14°

Voltage

- 24 - 24VDC fixture voltage

Options

- C* - standard feed cable 0,3m (1')
- C3 - luminaire supplied with 3m (10') feed cable
- C6 - luminaire supplied with 6m (20') feed cable
- C9 - luminaire supplied with 9m (30') feed cable

Installation

- Trim (TM)
- Trimless (TS)

Power-Delivered lumens

- H - 8W, 2700K - 4000K, 230 lm

Installation housing

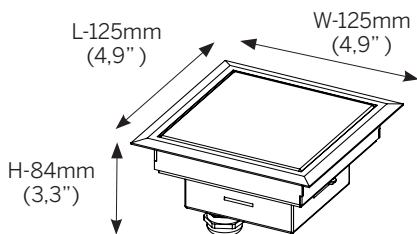
- SQ100C - Trim
- SQ100T - Trimless

POWER SUPPLIES

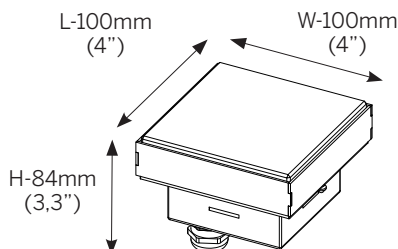
List of proposed power supplies that are to be ordered separately. Please click [link](#) for list of available drivers.

Click [here](#) for voltage drop and distances.

Trim (TM)



Trimless (TS)



International: +385 52 255 324 [filixlighting.com](mailto:info@filixlighting.com)
info@filixlighting.com

Europe/GmbH: info@filixlighting.com

Europe MENA: info@filixlighting.com

North America: [filixlighting-usa.com](mailto:info@filixlighting.com) info@filixlighting.com

Filix reserves the right to make technical changes without notice.

SQW100 Wall Wash

Dimensions

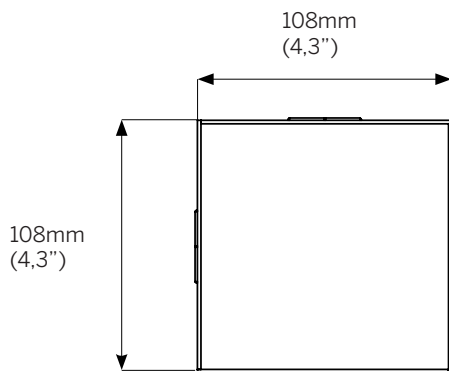
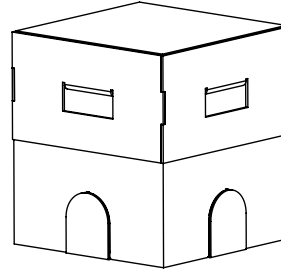
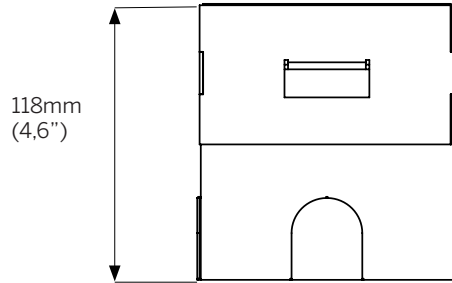


Note:

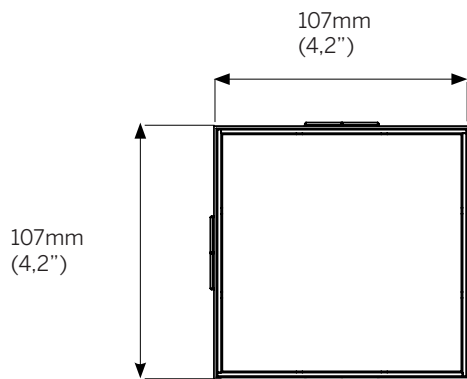
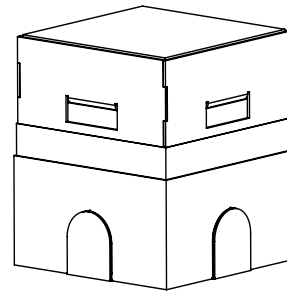
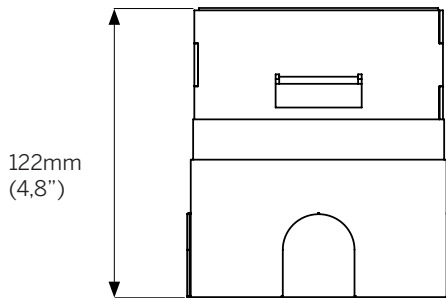
For details on specific depths, tiling thickness and other please refer to both Installation instructions for fixture and housing.

Installation housing - SQ100C - Concrete installation

Installation details



Installation housing - SQ100T - Tiles installation



International: +385 52 255 324 filixlighting.com
info@filixlighting.com
Europe/GmbH: info@filixlighting.com
Europe MENA: info@filixlighting.com
North America: filixlighting-usa.com info@filixlighting.com

Filix reserves the right to make technical changes without notice.