

# RDT100 Tilt Adjustable

## Specification Sheet



Ordering Information						
Model	Installation	Power	Color Temp.	Optics	Voltage	Options
RDT100	TM TS	H	27 30 40	SP FL	24	C* C3 C6 C9



### Application

- Architectural and landscape lighting
- Recessed floor installation
- Gravel, soil or concrete
- UL STD 1598, IP67, Wet location, drive over rated 1500kg (3300 lb)
- Pin engine movement
- Adjustable beam 20 degrees

### Luminaire

- Sustainable design, replaceable LED module
- Tilt adjustable system
- High performance optics
- Remote power supply
- Clear tempered glass 15mm (5/8") thick
- Aluminium construction fixture body
- Stainless steel type 304 flange
- Snap in installation with no exposed hardware
- Supplied with oil and water resistant 0.3m (1') feed cable standard
- IK10

### Color Temperature

- 27 - 2700K
- 30 - 3000K
- 40 - 4000K
- 2 Step MacAdam
- CRI: > 85

### Optics

- SP - Spot - 14°
- FL - Flood - 31°

### Voltage

- 24 - 24VDC fixture voltage

### Options

- C\* - standard feed cable 0.3m (1')
- C3 - luminaire supplied with 3m (10') feed cable
- C6 - luminaire supplied with 6m (20') feed cable
- C9 - luminaire supplied with 9m (30') feed cable

### Installation

- Trim (TM)
- Trimless (TS)

### Power - Delivered lumens

- H - 10W, 2700K - 4000K, 690 lm

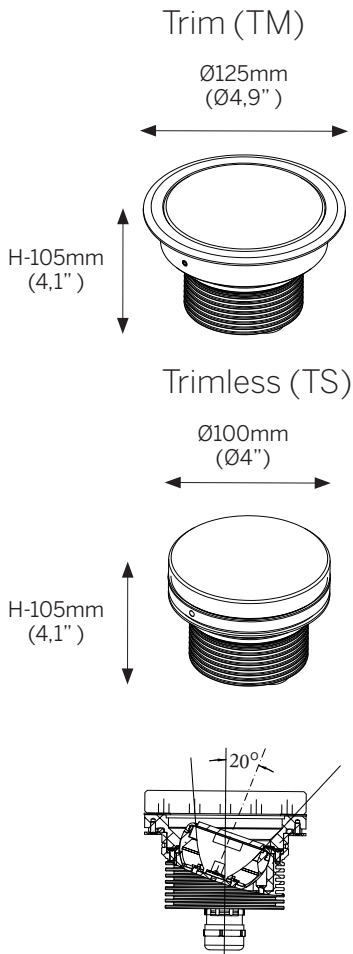
### Installation housing

- RD100C - Trim
- RD100T - Trimless

### POWER SUPPLIES

List of proposed power supplies that are to be ordered separately. Please click [link](#) for list of available drivers.

Click [here](#) for voltage drop and distances.



International: +385 52 255 324 [filixlighting.com](http://filixlighting.com)  
[info@filixlighting.com](mailto:info@filixlighting.com)  
 Europe/GmbH: [info@filixlighting.com](mailto:info@filixlighting.com)  
 Europe MENA: [info@filixlighting.com](mailto:info@filixlighting.com)  
 North America: [filixlighting-usa.com](http://filixlighting-usa.com) [info@filixlighting.com](mailto:info@filixlighting.com)

Filix reserves the right to make technical changes without notice.

# RDT100 Tilt Adjustable

## Dimensions

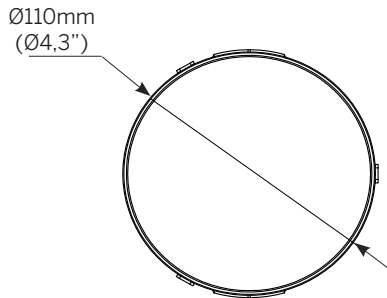
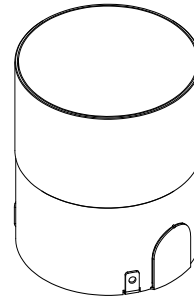
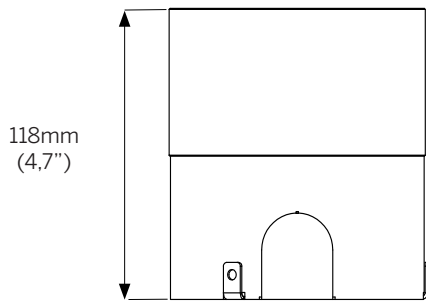


### Note:

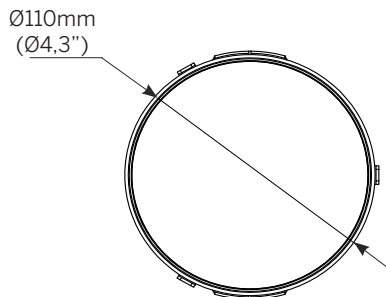
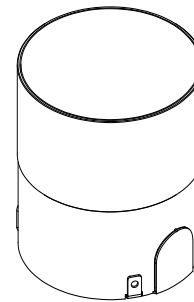
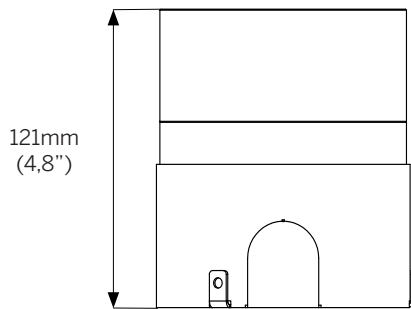
For details on specific depths, tiling thickness and other please refer to both Installation instructions for fixture and housing.

### Installation housing - RD100C - Concrete installation

Installation details



### Installation housing - RD100T - Tiles installation



International: +385 52 255 324 [filixlighting.com](http://filixlighting.com)  
[info@filixlighting.com](mailto:info@filixlighting.com)  
Europe/GmbH: [info@filixlighting.com](mailto:info@filixlighting.com)  
Europe MENA: [info@filixlighting.com](mailto:info@filixlighting.com)  
North America: [filixlighting-usa.com](http://filixlighting-usa.com) [info@filixlighting.com](mailto:info@filixlighting.com)

Filix reserves the right to make technical changes without notice.