

RDD60 Deco

Specification Sheet



Ordering Information

Model	Installation	Power	Color Temp.	Optics	Voltage	Options
RDD60	TM TS	H	27 30 40	SP FL W	24	C* C3 C6 C9



Application

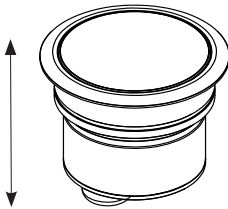
- Architectural and landscape lighting
- Recessed floor installation
- Gravel, soil or concrete
- UL STD 1598, IP67, Wet location, drive over rated 1500kg (3300 lb)

Trim (TM)

Ø75mm
(Ø2,9")



H-77mm
(3,0")

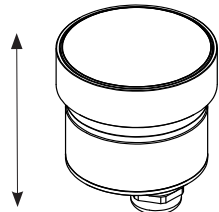


Trimless (TS)

Ø64mm
(Ø2,5")



H-77mm
(3,0")



Luminaire

- Sustainable design, replaceable LED module
- AGS - Anti Glare System
- Regressed LED - glare reduction
- High performance optics
- Remote power supply
- Clear tempered glass 10mm (3/8") thick
- Aluminium construction fixture body
- Stainless steel type 304 flange
- Snap in installation with no exposed hardware
- Supplied with oil and water resistant 0.3m (1') feed cable as standard
- IK10

Installation

- Trim (TM)
- Trimless (TS)

Power - Delivered lumens

- H - 6W, 2700K - 4000K - 450 lm

Color Temperature

- 27 - 2700K
- 30 - 3000K
- 40 - 4000K
- 2 Step MacAdam
- CRI: > 85

Optics

- SP - Spot - 14°
- FL - Flood - 31°
- W - Wide - 50°

Voltage

- 24 - 24VDC fixture voltage

Options

- C* - standard feed cable 0.3m (1')
- C3 - luminaire supplied with 3m(10') feed cable
- C6 - luminaire supplied with 6m(20') feed cable
- C9 - luminaire supplied with 9m(30') feed cable

Installation housing

- RD60C - Concrete
- RD60T - Tiles

POWER SUPPLIES

List of proposed power supplies that are to be ordered separately. Please click [link](#) for list of available drivers.

Click [here](#) for voltage drop and distances.

International: +385 52 255 324 filixlighting.com
info@filixlighting.com

Europe/GmbH: info@filixlighting.com

Europe MENA: info@filixlighting.com

North America: filixlighting-usa.com info@filixlighting.com

Filix reserves the right to make technical changes without notice.

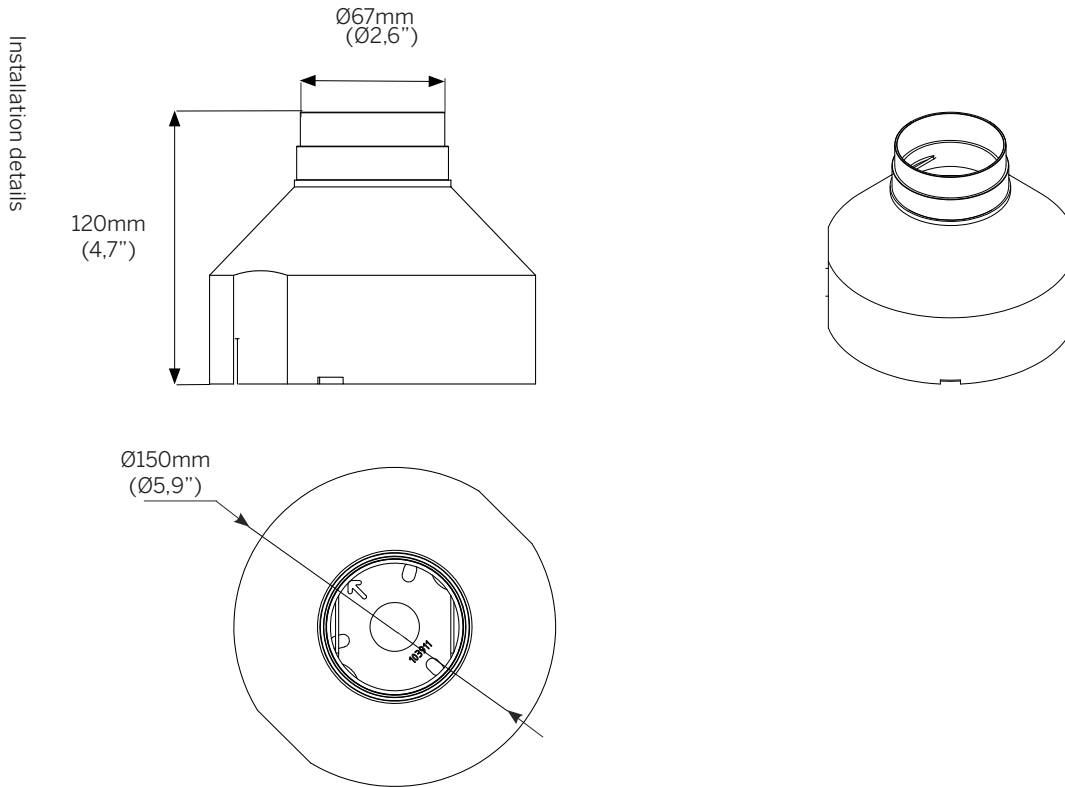
RDD60 Deco

Dimensions

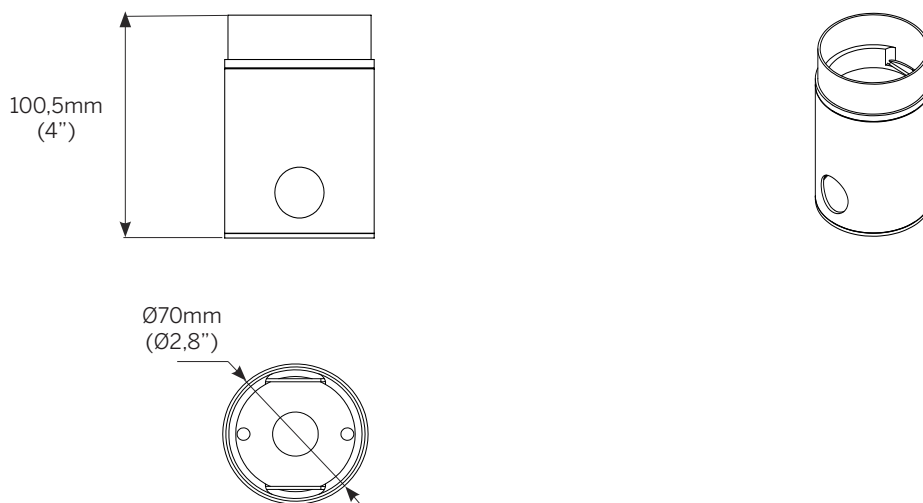


Note:
For details on specific depths, tiling thickness and other please refer to both Installation instructions for fixture and housing.

Installation housing - RD60C - Concrete installation



Installation housing - RD60T - Tiles installation



International: +385 52 255 324 filixlighting.com
info@filixlighting.com
Europe/GmbH: info@filixlighting.com
Europe MENA: info@filixlighting.com
North America: filixlighting-usa.com info@filixlighting.com

Filix reserves the right to make technical changes without notice.