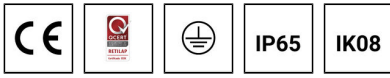


# VANCOUVER



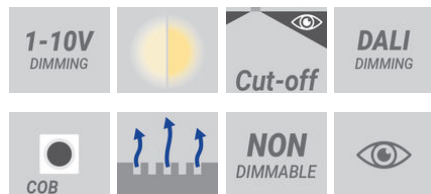
**Compact decorative landscape way-finding. Minimalist solutions delivering a play of illuminate patterns.**

## Luminaire Structure

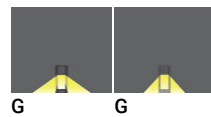
- Die-cast aluminium housing
- Extruded aluminium column
- Pre-treated before powder coating ensuring high corrosion resistance
- Single cable entry
- One IP68 connector supplied with 0.2 m of 3x1.0 sqmm outdoor cable
- Stainless steel fasteners in grade 304 with zinc flake coating (ZFC)
- Durable silicone rubber gasket
- Clear toughened glass
- High-efficiency optical reflector or high-efficiency polycarbonate lens
- Integral control gear



## Feature



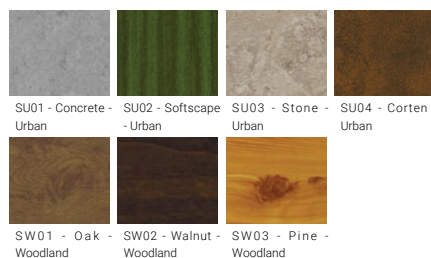
## Light symbol



## Product colour



## Special finishes upon request



We reserve the right to make technical and design changes.

01:20, 16-05-2022







<https://www.ligman.com/vancouver-pillar-luminaire-van-bo3/>

**Europe**  
LIGMAN EUROPE s.r.o.  
VGP Park Ústí nad Labem  
P 2 120  
40317, Přestanov  
Czech Republic  
+420 477 071 500  
[sales.cz@ligman.com](mailto:sales.cz@ligman.com)




**ASIA PACIFIC**  
LIGMAN Lighting Co.,Ltd.  
17/2 Moo4 Monthong  
Bangnampreaw  
24150, Chachoengsao  
Thailand  
+66 2 108 6700  
[info@ligman.com](mailto:info@ligman.com)

# VANCOUVER

## Technical information

	Model number	Light source	Power	Lumen	Optic	CCT / CRI	Dimming type	Weight	
<b>160x160 mm - 400 mm</b>									
VANCOUVER 14	<b>VA-70001</b>	1 COB	8 W	327 - 331 lm	G [107°]	3000K CRI80, 4000K CRI80	On/Off	5.6 kg	
VANCOUVER 63	<b>VA-70021</b>	1 COB	13 W	407 - 437 lm	G [143°]	3000K CRI80, 4000K CRI80	On/Off	5.6 kg	
VANCOUVER 65	<b>VA-70041</b>	1 COB	8 W	155 - 165 lm	G [107°]	3000K CRI80, 4000K CRI80	On/Off	6.4 kg	
<b>240x240 mm - 400 mm</b>									
VANCOUVER 66	<b>VA-70051</b>	1 COB	21 W	390 - 410 lm	G [132°]	3000K CRI80, 4000K CRI80	DALI, 1-10V, On/Off	11.5 kg	
<b>240x240 mm - 400 mm</b>									
VANCOUVER 15	<b>VA-70011</b>	1 COB	21 W	805 - 815 lm	G [132°]	3000K CRI80, 4000K CRI80	DALI, 1-10V, On/Off	10.3 kg	
VANCOUVER 64	<b>VA-70031</b>	1 COB	20 W	1267 - 1362 lm	G [134°]	3000K CRI80, 4000K CRI80	DALI, 1-10V, On/Off	5.6 kg	

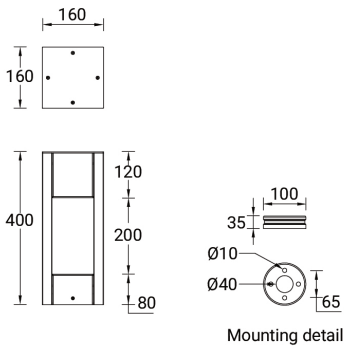
## Accessories

	 Anchor bolt <b>A10291</b>	 Anchor bolt <b>A12191</b>	 DALI Control System <b>Control-DALI</b>
VA-70001		•	
VA-70011	•		•
VA-70021		•	
VA-70031	•		•
VA-70041		•	
VA-70051	•		•

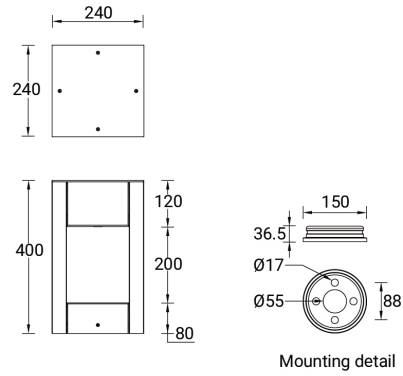
# VANCOUVER

## VANCOUVER

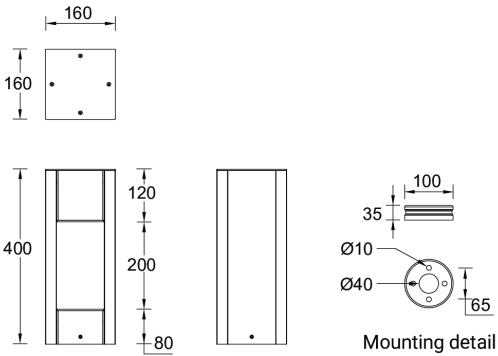
VANCOUVER 14  
VA-70001



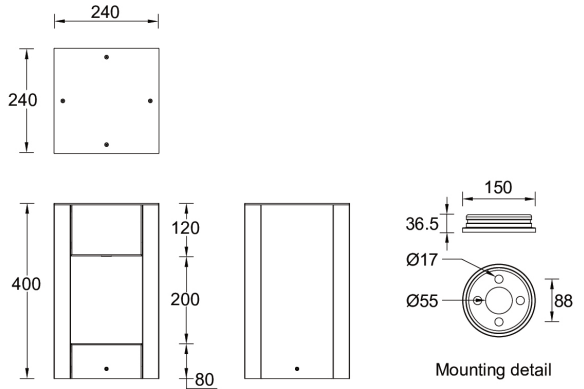
VANCOUVER 15  
VA-70011



VANCOUVER 46  
VA-70041



VANCOUVER 47  
VA-70051



# VANCOUVER



VANCOUVER  
**Bollards**

Contemporary urban lighting furniture. Open-sided, three lattice pattern options or your bespoke design.

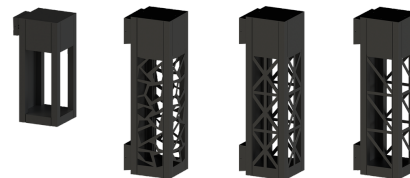
<https://www.ligman.com/vancouver-bollards-va-bo3/>



VANCOUVER  
**Light columns**

Total urban realm lighting solution. Optional heights, accent projectors, accessories and decorative lattice panels.

<https://www.ligman.com/vancouver-light-columns-va-li3/>



VANCOUVER  
**Surface facade luminaires**

Contemporary urban lighting furniture. Open-sided, three lattice pattern options or your bespoke design.

<https://www.ligman.com/vancouver-surface-facade-luminaires-va-su3/>