

# SINDHU



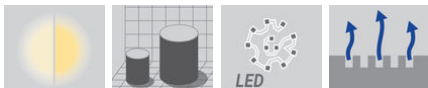
**Modern, discrete way-finding bollard luminaire. Featuring 360°, 270°, 180°, 90° or 90°x90° beam distribution for uninterrupted pedestrian lighting.**

## Luminaire Structure

- Die-cast aluminium housing
- Pre-treated before powder coating ensuring high corrosion resistance
- Extruded aluminium column
- Single cable entry
- One IP68 connector supplied with 0.2 m of 3x1.0 sqmm outdoor cable
- Stainless steel fasteners in grade 304 with zinc flake coating (ZFC)
- Durable silicone rubber gasket
- Clear toughened glass
- High-efficiency PMMA lens
- Integral control gear

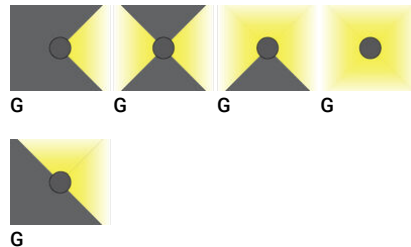


## Feature



**NON DIMMABLE**

## Light symbol



## Product colour



## Special finishes upon request



SU01 - Concrete - Urban SU02 - Softscape - Urban SU03 - Stone - Urban SU04 - Corten - Urban



SW01 - Oak - Woodland SW02 - Walnut - Woodland SW03 - Pine - Woodland

We reserve the right to make technical and design changes.

01:38, 16-05-2022

<https://www.ligman.com/sindhu-bollards-si-bo3/>

**Europe**  
LIGMAN EUROPE s.r.o.  
VGP Park Ústí nad Labem  
P 2 120  
40317, Přestanov  
Czech Republic  
+420 477 071 500  
[sales.cz@ligman.com](mailto:sales.cz@ligman.com)

**ASIA PACIFIC**  
LIGMAN Lighting Co.,Ltd.  
17/2 Moo4 Monthong  
Bangnampreaw  
24150, Chachoengsao  
Thailand  
+66 2 108 6700  
[info@ligman.com](mailto:info@ligman.com)

# SINDHU

## Technical information

	Model number	Light source	Power	Lumen	Optic	CCT / CRI	Dimming type	Weight
<b>Ø70 - 1000 mm - Light distribution 180°</b>								
SINDHU 2	<b>SIN-10051</b>	2x6 LED	16 W	793 - 895 lm	G [180°]	3000K CRI80, 4000K CRI80	On/Off	6.25 kg
<b>Ø70 - 1000 mm - Light distribution 270°</b>								
SINDHU 2	<b>SIN-10031</b>	3x6 LED	22 W	1268 - 1335 lm	G [270°]	3000K CRI80, 4000K CRI80	On/Off	6.25 kg
<b>Ø70 - 1000 mm - Light distribution 360°</b>								
SINDHU 2	<b>SIN-10041</b>	4x6 LED	33 W	1703 - 1793 lm	G [360°]	3000K CRI80, 4000K CRI80	On/Off	6.3 kg
<b>Ø70 - 1000 mm - Light distribution 90°</b>								
SINDHU 2	<b>SIN-10011</b>	6 LED	9 W	430 - 453 lm	G [90°]	3000K CRI80, 4000K CRI80	On/Off	6.25 kg
<b>Ø70 - 1000 mm - Light distribution 90°x90°</b>								
SINDHU 2	<b>SIN-10021</b>	2x6 LED	16 W	793 - 895 lm	G [90°x90°]	3000K CRI80, 4000K CRI80	On/Off	6.25 kg
<b>Ø70 - 700 mm - Light distribution 180°</b>								
SINDHU 1	<b>SIN-10005</b>	2x6 LED	16 W	793 - 895 lm	G [180°]	3000K CRI80, 4000K CRI80	On/Off	5.9 kg
<b>Ø70 - 700 mm - Light distribution 270°</b>								
SINDHU 1	<b>SIN-10003</b>	3x6 LED	22 W	1268 - 1335 lm	G [270°]	3000K CRI80, 4000K CRI80	On/Off	6 kg
<b>Ø70 - 700 mm - Light distribution 360°</b>								
SINDHU 1	<b>SIN-10004</b>	4x6 LED	33 W	1703 - 1793 lm	G [360°]	3000K CRI80, 4000K CRI80	On/Off	6 kg
<b>Ø70 - 700 mm - Light distribution 90°</b>								
SINDHU 1	<b>SIN-10001</b>	6 LED	9 W	430 - 453 lm	G [90°]	3000K CRI80, 4000K CRI80	On/Off	5.9 kg
<b>Ø70 - 700 mm - Light distribution 90°x90°</b>								
SINDHU 1	<b>SIN-10002</b>	2x6 LED	16 W	793 - 895 lm	G [90°x90°]	3000K CRI80, 4000K CRI80	On/Off	5.9 kg

## Accessories



Anchor bolt  
**A14391**

SIN-10001	•
SIN-10002	•
SIN-10003	•
SIN-10004	•
SIN-10005	•
SIN-10011	•
SIN-10021	•

We reserve the right to make technical and design changes.

01:38, 16-05-2022

<https://www.ligman.com/sindhu-bollards-si-bo3/>

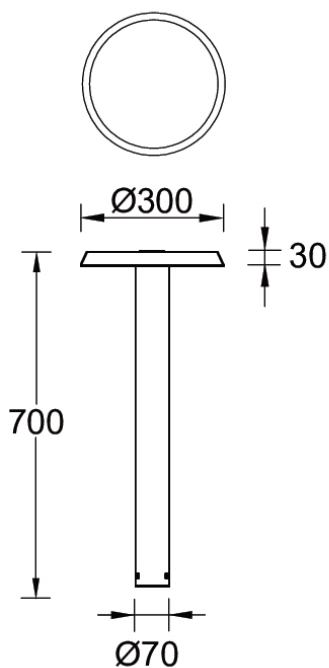
**Europe**  
LIGMAN EUROPE s.r.o.  
VGP Park Ústí nad Labem  
P 2 120  
40317, Přestanov  
Czech Republic  
+420 477 071 500  
[sales.cz@ligman.com](mailto:sales.cz@ligman.com)

**ASIA PACIFIC**  
LIGMAN Lighting Co.,Ltd.  
17/2 Moo4 Monthong  
Bangnampreaw  
24150, Chachoengsao  
Thailand  
+66 2 108 6700  
[info@ligman.com](mailto:info@ligman.com)

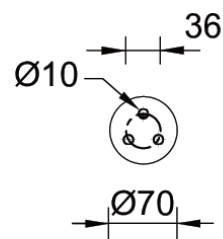
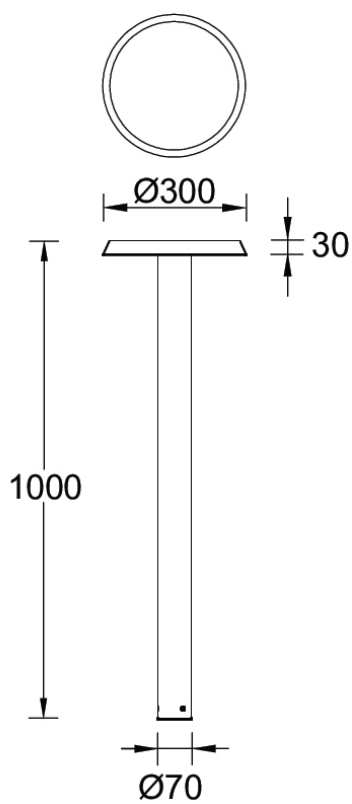
# SINDHU

SIN-10031	•
SIN-10041	•
SIN-10051	•

## SINDHU1 SIN-10001,02,03,04,05



## SINDHU2 SIN-10011,21,31,41,51



Mounting detail