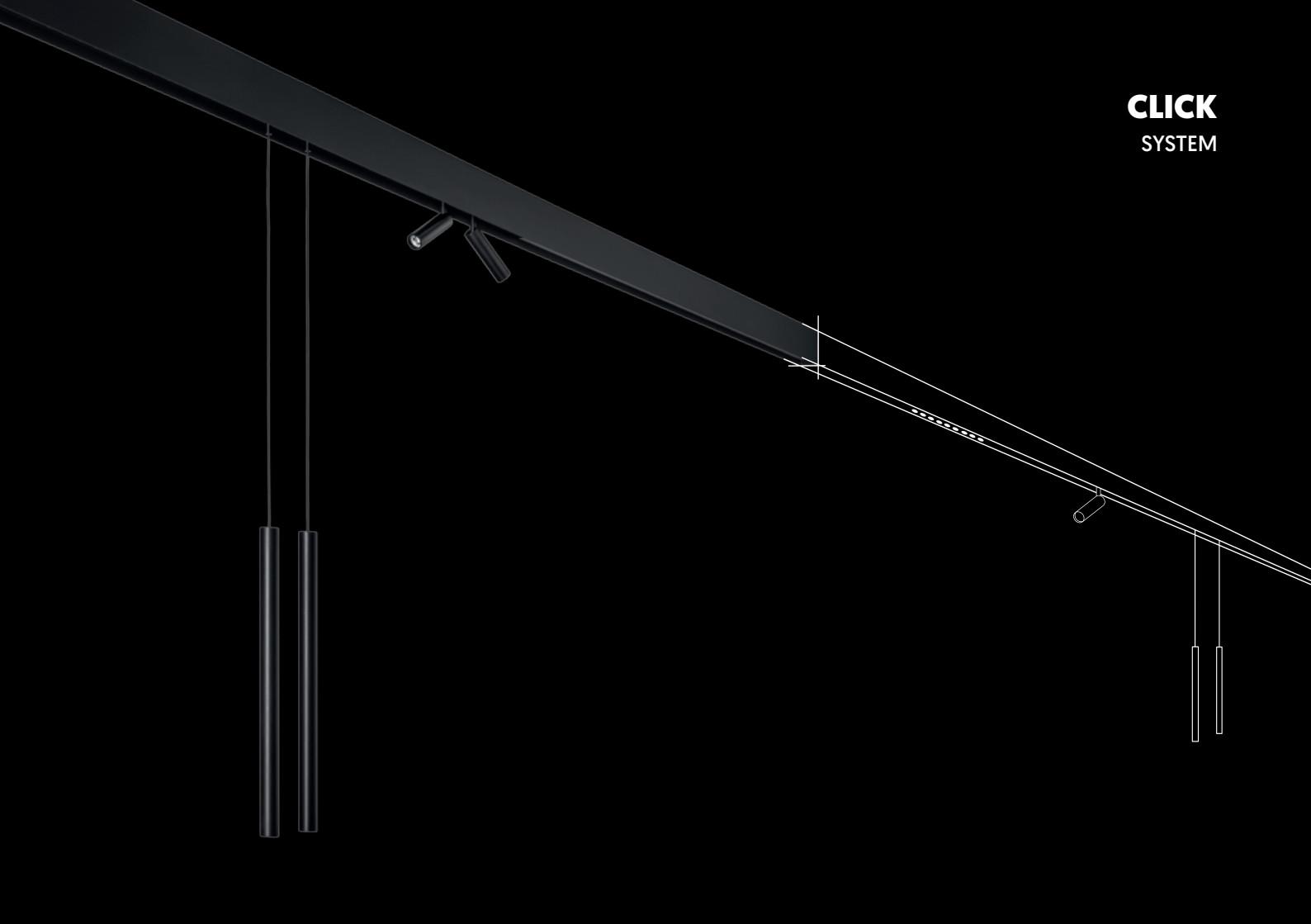
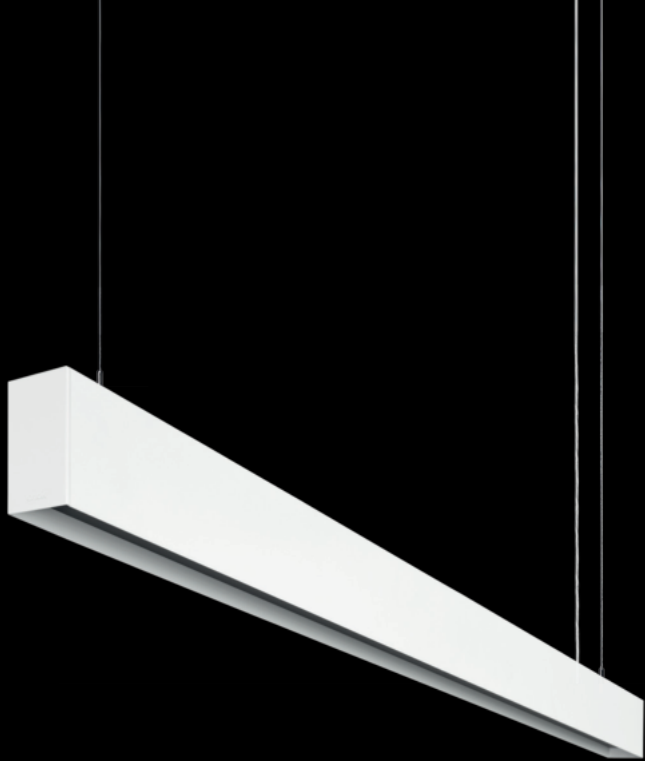


**CLICK**  
SYSTEM

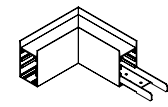
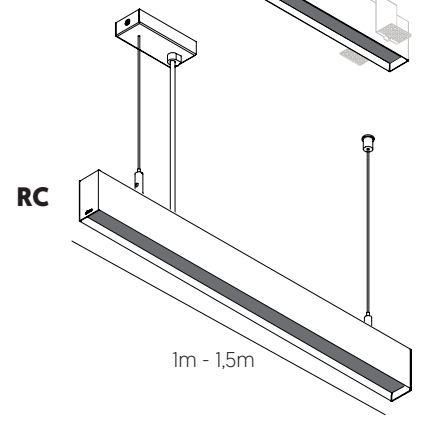
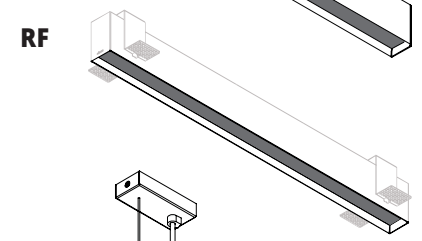
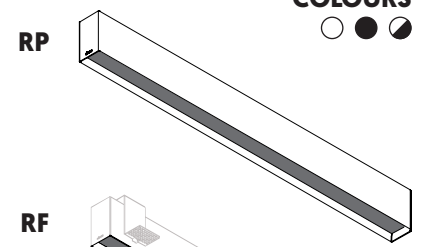




# CLICK PROFILE

CLICK SYSTEM

COLOURS



CORNER



# CLICK DOT

CLICK SYSTEM



**CRI**  
>90

## LED CONTROL

No Dimmable - Dimable Dali

## LED COLOUR TEMPERATURE

2700K - 3000K - 4000K

## LED BEAM ANGLE

16° - 36°

## LED LUMENS

1000 - 2000

## COLOURS



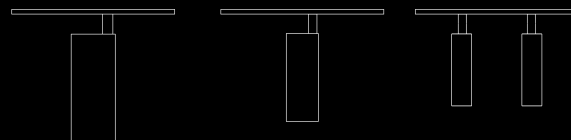
## LED COMPLEMENTS





## CLICK FOCUS

CLICK SYSTEM



**CRI**  
>90

### LED CONTROL

No Dimmable - Dimable Dali

### LED COLOUR TEMPERATURE

2700K - 3000K - 4000K

### LED BEAM ANGLE

25° - 36°

### LED LUMENS

500 - 700 - 1100

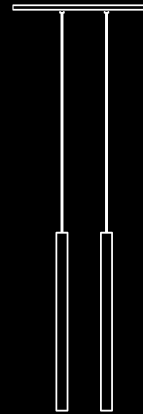
### COLOURS



SPECIAL COPPER AND  
POLISHED FINISH

### LED COMPLEMENTS





## CLICK TUBE

CLICK SYSTEM

**CRI**  
>90

### LED CONTROL

No Dimmable - Dimable Dali

### LED COLOUR TEMPERATURE

2700K - 3000K - 4000K

### LED BEAM ANGLE

26°

### LED LUMENS

500x2

### COLOURS



SPECIAL COPPER AND  
POLISHED FINISH

### LED COMPLEMENTS



# CLICK LINEAR

CLICK SYSTEM

## CRI

>85

## LED CONTROL

No Dimmable - Dimable Dali

## LED COLOUR TEMPERATURE

2700K - 3000K - 4000K

## BEAM ANGLE

100°

## LED LUMENS

5000

## COLOURS

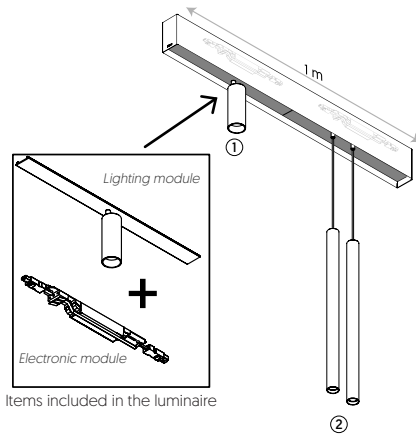


## LED COMPLEMENTS

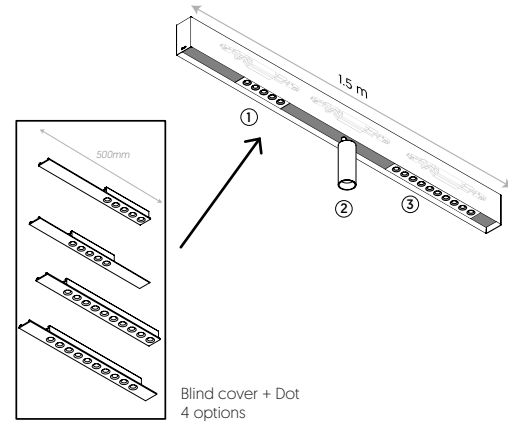


## PROFILES + LUMINAIRES

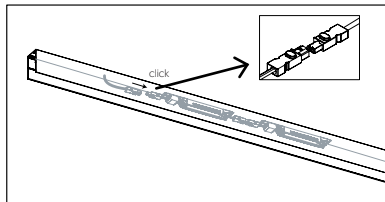
▲ Profile 1 Meter / Max. 2 luminaires



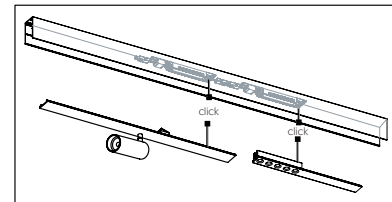
▲ Profile 1.5 Meters / Max. 3 luminaires



## HOW TO INSTALL?



1. Install profile and connect electronic modules



2. Connect luminaires and close profile