

Xenia



A profile characterized by **high installation versatility and brightness**, specifically designed for indoor spaces. Lines of light can be created **even in areas that are more difficult to access** thanks to the different kinds of brackets proposed as accessories.

Passive heat dissipation

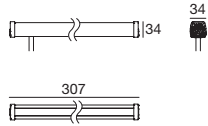
Anodised aluminium extruded casing

Light distribution

Five optics available for several light effects, including the possibility to aim light (in the bracket-mounted version)



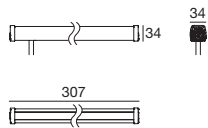
Xenia | Linear profiles | powerLED 4.5 W 500 mA



type		colour			optic	
Anod. AL	CRI 80	88680	3000 K	534 lm	W	20° 20
			4000 K	570 lm	N	50° 50
			5000 K	648 lm	C	90° 90
			Blue		B	Asym. 07
R - G - Y on request						

89146	99115	99114	89494
ON/OFF 1 art.	1-10V 1 - 4 art.	DALI 1 - 4 art.	Anti-glare

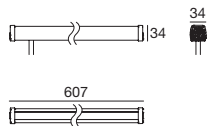
Xenia WallWasher | Linear profiles | powerLED 4.5 W 500 mA



type		colour			optic	
Anod. AL	CRI 80	89528	3000 K	534 lm	W	Wall W. 25
			4000 K	570 lm	N	
			5000 K	648 lm	C	
			Blue		B	
R - G - Y on request						

89146	99115	99114	89494
ON/OFF 1 art.	1-10V 1 - 4 art.	DALI 1 - 4 art.	Anti-glare

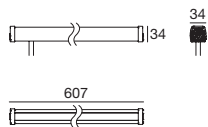
Xenia | Linear profiles | powerLED 9 W 500 mA



type		colour			optic	
Anod. AL	CRI 80	88681	3000 K	1068 lm	W	20° 20
			4000 K	1140 lm	N	50° 50
			5000 K	1296 lm	C	90° 90
			Blue		B	Asym. 07
R - G - Y on request						

99128	99115	99114	89495
ON/OFF 1 art.	1-10V 1 - 2 art.	DALI 1 - 2 art.	Anti-glare

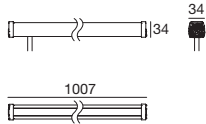
Xenia WallWasher | Linear profiles | powerLED 9 W 500 mA



type		colour			optic	
Anod. AL	CRI 80	89529	3000 K	1068 lm	W	Wall W. 25
			4000 K	1140 lm	N	
			5000 K	1296 lm	C	
			Blue		B	
R - G - Y on request						

99128	99115	99114	89495
ON/OFF 1 art.	1-10V 1 - 2 art.	DALI 1 - 2 art.	Anti-glare

Xenia | Linear profiles | powerLED 15 W 500 mA



type

Anod. AL CRI 80 **88682**

colour

3000 K	1780 lm	W
4000 K	1900 lm	N
5000 K	2160 lm	C
Blue		B

R - G - Y on request

optic

20°	20
50°	50
90°	90
Asym.	07



99106
ON/OFF
1 art.



99115
1-10V
1 art.

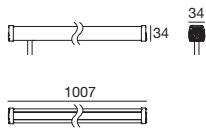


99114
DALI
1 art.



89496
Anti-glare

Xenia WallWasher | Linear profiles | powerLED 15 W 500 mA



type

Anod. AL CRI 80 **89530**

colour

3000 K	1780 lm	W
4000 K	1900 lm	N
5000 K	2160 lm	C
Blue		B

R - G - Y on request

optic

Wall W.	25
---------	-----------



99106
ON/OFF
1 art.



99115
1-10V
1 art.

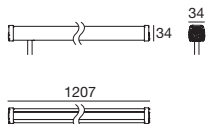


99114
DALI
1 art.



89496
Anti-glare

Xenia | Linear profiles | powerLED 18 W 500 mA



type

Anod. AL CRI 80 **88683**

colour

3000 K	2136 lm	W
4000 K	2280 lm	N
5000 K	2592 lm	C
Blue		B

R - G - Y on request

optic

20°	20
50°	50
90°	90
Asym.	07



99106
ON/OFF
1 art.



99115
1-10V
1 art.

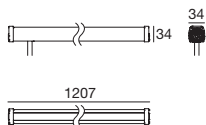


99114
DALI
1 art.



89497
Anti-glare

Xenia WallWasher | Linear profiles | powerLED 18 W 500 mA



type

Anod. AL CRI 80 **89531**

colour

3000 K	2136 lm	W
4000 K	2280 lm	N
5000 K	2592 lm	C
Blue		B

R - G - Y on request

optic

Wall W.	25
---------	-----------



99106
ON/OFF
1 art.



99115
1-10V
1 art.



99114
DALI
1 art.

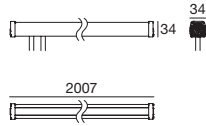


89497
Anti-glare





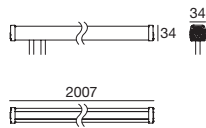
Xenia | Linear profiles | powerLED 30 W 500 mA



type		colour			optic	
Anod. AL	CRI 80	88684	3000 K	3560 lm	W	20° 20
			4000 K	3800 lm	N	50° 50
			5000 K	4320 lm	C	90° 90
			Blue		B	Asym. 07
R - G - Y on request						

2 x 99106	2 x 99115	2 x 99114	89498
ON/OFF 1 art.	1-10V 1 art.	DALI 1 art.	Anti-glare

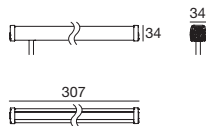
Xenia WallWasher | Linear profiles | powerLED 30 W 500 mA



type		colour			optic	
Anod. AL	CRI 80	89532	3000 K	3560 lm	W	Wall W. 25
			4000 K	3800 lm	N	
			5000 K	4320 lm	C	
			Blue		B	
R - G - Y on request						

2 x 99106	2 x 99115	2 x 99114	89498
ON/OFF 1 art.	1-10V 1 art.	DALI 1 art.	Anti-glare

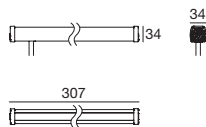
Xenia RGB | Linear profiles | powerLED 9 W 500 mA



type		colour			optic	
Anod. AL		88690	RGB		Z	20° 20
						50° 50
						90° 90
						Asym. 07

99140	99206	99202	89494
N/O & IR	DMX	DMX	Anti-glare

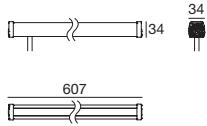
Xenia WallWasher RGB | Linear profiles | powerLED 9 W 500 mA



type		colour			optic	
Anod. AL		89538	RGB		Z	Wall W. 25

99140	99206	99202	89494
N/O & IR	DMX	DMX	Anti-glare

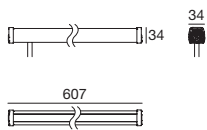
Xenia RGB | Linear profiles | powerLED 18 W 500 mA



type	colour	optic
Anod. AL	RGB	Z
88691		
		20° 20
		50° 50
		90° 90
		Asym. 07

99140	99206	99202	89495
N/O & IR	DMX	DMX	Anti-glare

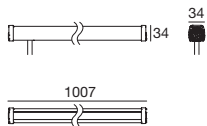
Xenia WallWasher RGB | Linear profiles | powerLED 18 W 500 mA



type	colour	optic
Anod. AL	RGB	Z
89539		Wall W. 25

99140	99206	99202	89495
N/O & IR	DMX	DMX	Anti-glare

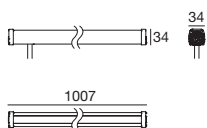
Xenia RGB | Linear profiles | powerLED 27 W 500 mA



type	colour	optic
Anod. AL	RGB	Z
88692		
		20° 20
		50° 50
		90° 90
		Asym. 07

99140	99206	99202	89496
N/O & IR	DMX	DMX	Anti-glare

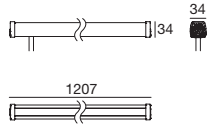
Xenia WallWasher RGB | Linear profiles | powerLED 27 W 500 mA



type	colour	optic
Anod. AL	RGB	Z
89540		Wall W. 25

99140	99206	99202	89496
N/O & IR	DMX	DMX	Anti-glare

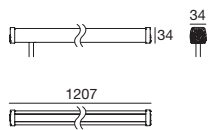
Xenia RGB | Linear profiles | powerLED 32 W 500 mA



type	colour	optic
Anod. AL 88693	RGB	Z 20° 20 50° 50 90° 90 Asym. 07

99140 N/O & IR	99202 DMX	89497 Anti-glare
--------------------------	---------------------	----------------------------

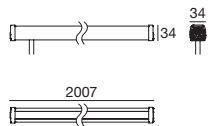
Xenia WallWasher RGB | Linear profiles | powerLED 32 W 500 mA



type	colour	optic
Anod. AL 89541	RGB	Z Wall W. 25

99140 N/O & IR	99202 DMX	89497 Anti-glare
--------------------------	---------------------	----------------------------

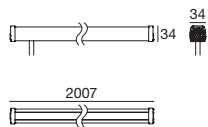
Xenia RGB | Linear profiles | powerLED 54 W 500 mA



type	colour	optic
Anod. AL 88694	RGB	Z 20° 20 50° 50 90° 90 Asym. 07

99140 N/O & IR	99202 DMX	89498 Anti-glare
--------------------------	---------------------	----------------------------

Xenia WallWasher RGB | Linear profiles | powerLED 54 W 500 mA



type	colour	optic
Anod. AL 89542	RGB	Z Wall W. 25

99140 N/O & IR	99202 DMX	89498 Anti-glare
--------------------------	---------------------	----------------------------

Xenia | Anti-glaring

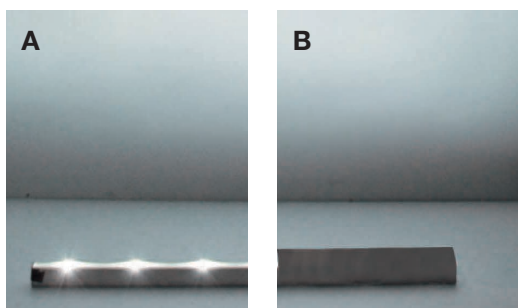


type	suitable for		
Anod. Al.	Xenia, Xenia_WWV, Xenia RGB	307 mm	89494
Anod. Al.	Xenia, Xenia_WWV, Xenia RGB	607 mm	89495
Anod. Al.	Xenia, Xenia_WWV, Xenia RGB	1007 mm	89496
Anod. Al.	Xenia, Xenia_WWV, Xenia RGB	1207 mm	89497
Anod. Al.	Xenia, Xenia_WWV, Xenia RGB	2007 mm	89498

Anti-glaring

The anti-glare accessory drastically cuts down LED frontal glare. Ideal with asymmetric and 20° optics for wall lighting.

The accessory must be ordered with the corresponding bar and mounted by our firm.


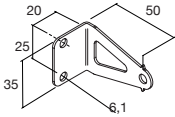

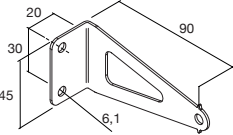

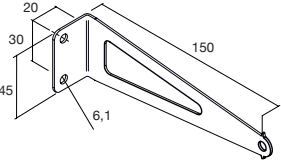
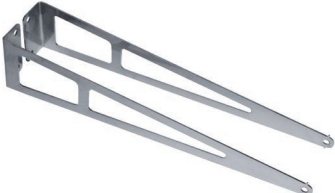
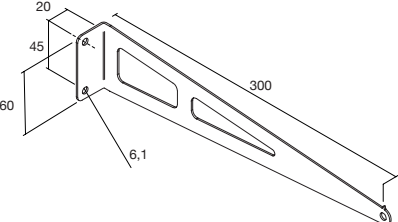


Figures showing bar with or without anti-glare accessory (fig. B and fig. A respectively). Note that eliminating frontal glare does not reduce light emission.

Xenia | Adjustable brackets

Fixing brackets

Brackets for fixing and rotating Xenia in-line spotlights. AISI 304 Polished.

		Steel 89044
		Steel 89045
		Steel 89046
		Steel 89047