

# S Q U A S H



## IT

– Diffusore in polietilene lineare bianco; corpo e montatura in alluminio verniciato bianco raggrinzante oppure in metallo nella versione a piantana.

## EN

– White linear polyethylene diffuser; white wrinkle-effect coated metal casing and mounting frame.

## ES

– Difusor de polietileno lineal blanco; cuerpo y montura de metal pintado de color blanco efecto arrugado.

## DE

– Diffusor aus weißem durchscheinend Polyethylen; Gehäuse und Fassung aus Metall mit Lackierung in Weiß mit Schrumpflack.

## FR

– Diffuseur en polyéthylène linéaire blanc ; corps et monture en métal verni blanc effet froissé.

## PY

– Отражатель из линейного белого полиэтилена; корпус и оправа из металла, окрашенного белым цветом с морщинистой отделкой.



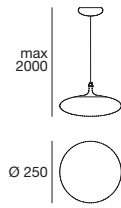






## SQUASH\_P

topLED 9 W | 220-240 V | CRI 90



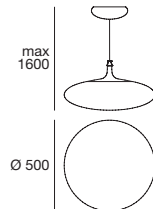
TYPE	CODE	COLOUR
<input type="checkbox"/> WHITE	<b>7948</b>	3000 K 870 lm

### ACCESSORIES



**KIT0026** | Phase-cut Dimmer (MAX. 100 W)

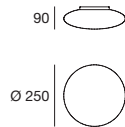
topLED 19 W | 220-240 V | CRI 90



TYPE	CODE	COLOUR
<input type="checkbox"/> WHITE	<b>7627</b>	3000 K 2364 lm

## SQUASH\_S

topLED 9 W | 220-240 V | CRI 90



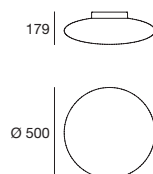
TYPE	CODE	COLOUR
<input type="checkbox"/> WHITE	<b>7951</b>	3000 K 870 lm

### ACCESSORIES



**KIT0026** | Phase-cut Dimmer (MAX. 100 W)

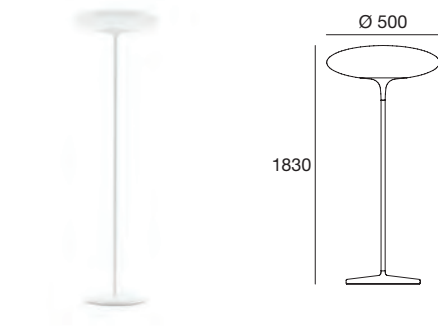
topLED 19 W | 220-240 V | CRI 90



TYPE	CODE	COLOUR
<input type="checkbox"/> WHITE	<b>7626</b>	3000 K 2364 lm

## SQUASH\_FL

topLED 25 W | 220-240 V | CRI 90



### TYPE

WHITE

### CODE

**7628**

### COLOUR

3000 K  
3062 lm

## SQUASH\_TAB

topLED 9 W | 220-240 V | CRI 90



### TYPE

WHITE

### CODE

**7946**

### COLOUR

3000 K  
870 lm

topLED 19 W | 220-240 V | CRI 90



### TYPE

WHITE

### CODE

**7947**

### COLOUR

3000 K  
2364 lm