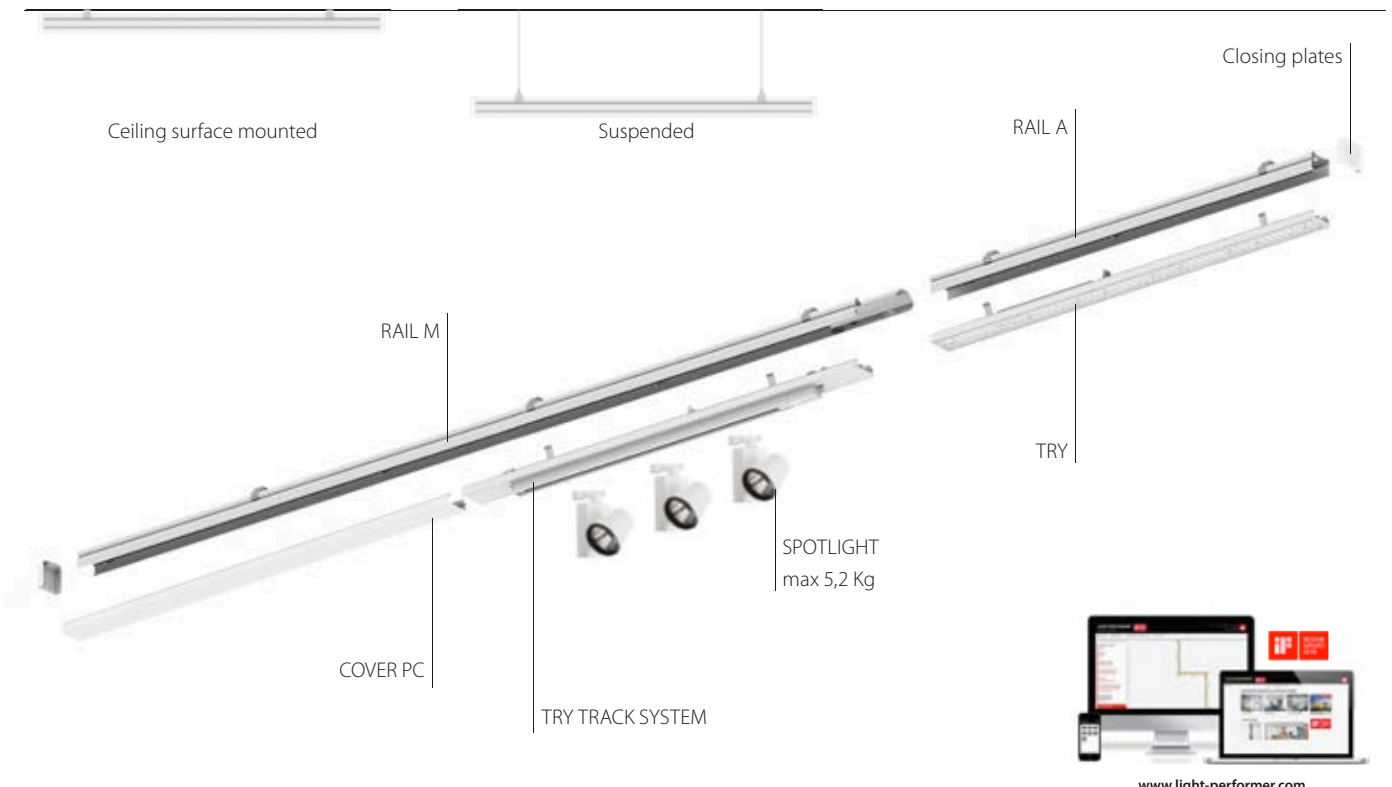


○ WH-RAL9003 / White RAL9003 /

LED series of indoor lighting fixtures consisting of a surface mounted luminaire with RAIL for electrical connection, suitable for commercial and industrial applications, comprising:


- Extruded aluminum luminaire housing, polyester powder coated, white finish
- High-transparency polycarbonate lenses for best light transmission
- Symmetrical optics ( S/EW - S/W) and double asymétrique optics (2A/M).
- Optics studied for enhanced visual comfort.
- Light beam obtained by the combination of multiple LED modules
- The LED 3000 K CRI  $\geq 80$  and 4000 K CRI  $\geq 80$  versions are standard. Other colour temperatures and colour renderings are available upon request
- Versions are available with ON-OFF driver, dimmable DALI, and with an emergency unit that ensure 3 hours of autonomy.
- The ceiling light fixture is installed on the electric RAIL with springs, without using utensils.
- SMART systems can be produced using the dedicated wireless KITS available as accessories, to be combined with the "7-pole DALI" RAIL and the DALI ceiling light.
- The SMART solution includes an electronic device for intelligent management of light, besides occupancy and luminosity sensors based on an 868 MHz wireless platform. It can be used to create systems that interact with the surrounding environment.
- TRY versions can be manufactured upon request, with all optics available for the series
- They are available as 5-pole RAIL accessories only to be used in the ON-OFF versions.
- The "7-pole DALI" are available as RAIL accessories to be used only for TRY DALI versions or combining TRY DALI with TRY ON OFF
- The "9-pole DALI/EM" are available as RAIL accessories to be used for TRYEM, TRY EM +DALI, or versions combining TRY EM, TRY DALI, and TRY EM + DALI
- All RAILS are complete with internal cable and 3 phases comprising a 2.5 mm<sup>2</sup> cable, connectors for rapid mutual insertion and automatic disectors for rapid insertion of the ceiling light.
- It is also available as an accessory module complete with EUROSTANDARD PLUS® electric track for installation of compatible projectors (AS... LED)

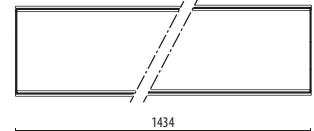
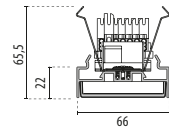


[www.light-performer.com](http://www.light-performer.com)

## TRY S/W

IK05 8J xx3

LAMPHOLDER	WATTAGE	CLASS		CRI	KELVIN	COS $\Phi$ $\geq 0,9$	OPTIC	OPTIC BEAM	LIGHTSOURCE LUMEN OUTPUT	LUMINAIRE LUMEN OUTPUT	L	B	LIFETIME	COLOUR/ RAL	PART NUMBER
<b>Power LED 220-240 V 50/60 Hz</b>															
LED	85 W	I		80	4000	•	S/W	-	14969 lm	11599 lm	80	10	60000 h	○	<b>305927</b>
LED	85 W	I		80	3000	•	S/W	-	14138 lm	11122 lm	80	10	60000 h	○	<b>305926</b>
LED	71 W	I		80	4000	•	S/W	-	12800 lm	10355 lm	80	10	60000 h	○	<b>305681</b>
LED	71 W	I		80	3000	•	S/W	-	12089 lm	9929 lm	80	10	60000 h	○	<b>305680</b>
LED	53 W	I		80	4000	•	S/W	-	9762 lm	8154 lm	80	10	60000 h	○	<b>305675</b>
LED	53 W	I		80	3000	•	S/W	-	9219 lm	7819 lm	80	10	60000 h	○	<b>305674</b>
LED	42 W	I		80	4000	•	S/W	-	7765 lm	6553 lm	80	10	60000 h	○	<b>305669</b>
LED	42 W	I		80	3000	•	S/W	-	7334 lm	6284 lm	80	10	60000 h	○	<b>305668</b>
LED	34 W	I		80	4000	•	S/W	-	6292 lm	5393 lm	80	10	60000 h	○	<b>305921</b>
LED	34 W	I		80	3000	•	S/W	-	5943 lm	5171 lm	80	10	60000 h	○	<b>305920</b>
LED	25 W	I		80	4000	•	S/W	-	4815 lm	4023 lm	80	10	60000 h	○	<b>305663</b>
LED	25 W	I		80	3000	•	S/W	-	4547 lm	3858 lm	80	10	60000 h	○	<b>305662</b>




## Power LED - dimmable DALI 220-240 V 50/60 Hz

LED	85 W	I		80	4000	•	S/W	-	14969 lm	11599 lm	80	10	60000 h	○	<b>305937</b>
LED	85 W	I		80	3000	•	S/W	-	14138 lm	11122 lm	80	10	60000 h	○	<b>305936</b>
LED	71 W	I		80	4000	•	S/W	-	12800 lm	10355 lm	80	10	60000 h	○	<b>305707</b>
LED	71 W	I		80	3000	•	S/W	-	12089 lm	9929 lm	80	10	60000 h	○	<b>305706</b>
LED	53 W	I		80	4000	•	S/W	-	9762 lm	8154 lm	80	10	60000 h	○	<b>305701</b>
LED	53 W	I		80	3000	•	S/W	-	9219 lm	7819 lm	80	10	60000 h	○	<b>305700</b>
LED	42 W	I		80	4000	•	S/W	-	7765 lm	6553 lm	80	10	60000 h	○	<b>305695</b>
LED	42 W	I		80	3000	•	S/W	-	7334 lm	6284 lm	80	10	60000 h	○	<b>305694</b>


## TRY S/W EM

IK05 8J xx3

LAMPHOLDER	WATTAGE	CLASS		CRI	KELVIN	COS $\Phi$ $\geq 0,9$	OPTIC	OPTIC BEAM	LIGHTSOURCE LUMEN OUTPUT	LUMINAIRE LUMEN OUTPUT	L	B	LIFETIME	COLOUR/ RAL	PART NUMBER
LED	85 W	I		80	4000	•	S/W	-	14969 lm	11599 lm	80	10	60000 h	○	<b>306504</b>
LED	71 W	I		80	4000	•	S/W	-	12800 lm	10355 lm	80	10	60000 h	○	<b>306502</b>
LED	53 W	I		80	4000	•	S/W	-	9762 lm	8154 lm	80	10	60000 h	○	<b>306500</b>
LED	42 W	I		80	4000	•	S/W	-	7765 lm	6553 lm	80	10	60000 h	○	<b>306498</b>

## TRY S/EW

IK05 8J xx3

LAMPHOLDER	WATTAGE	CLASS		CRI	KELVIN	COS $\Phi$ $\geq 0,9$	OPTIC	OPTIC BEAM	LIGHTSOURCE LUMEN OUTPUT	LUMINAIRE LUMEN OUTPUT	L	B	LIFETIME	COLOUR/ RAL	PART NUMBER
<b>Power LED 220-240 V 50/60 Hz</b>															
LED	85 W	I		80	4000	•	S/EW	-	14969 lm	11593 lm	80	10	60000 h	○	<b>305925</b>
LED	85 W	I		80	3000	•	S/EW	-	14138 lm	11116 lm	80	10	60000 h	○	<b>305924</b>
LED	71 W	I		80	4000	•	S/EW	-	12800 lm	10350 lm	80	10	60000 h	○	<b>305679</b>
LED	71 W	I		80	3000	•	S/EW	-	12089 lm	9925 lm	80	10	60000 h	○	<b>305678</b>
LED	53 W	I		80	4000	•	S/EW	-	9762 lm	8150 lm	80	10	60000 h	○	<b>305673</b>
LED	53 W	I		80	3000	•	S/EW	-	9219 lm	7815 lm	80	10	60000 h	○	<b>305672</b>
LED	42 W	I		80	4000	•	S/EW	-	7765 lm	6550 lm	80	10	60000 h	○	<b>305667</b>
LED	42 W	I		80	3000	•	S/EW	-	7334 lm	6281 lm	80	10	60000 h	○	<b>305666</b>
LED	34 W	I		80	4000	•	S/EW	-	6292 lm	5390 lm	80	10	60000 h	○	<b>305919</b>
LED	34 W	I		80	3000	•	S/EW	-	5943 lm	5169 lm	80	10	60000 h	○	<b>305918</b>
LED	25 W	I		80	4000	•	S/EW	-	4815 lm	4021 lm	80	10	60000 h	○	<b>305661</b>
LED	25 W	I		80	3000	•	S/EW	-	4547 lm	3856 lm	80	10	60000 h	○	<b>305660</b>

## Power LED - dimmable DALI 220-240 V 50/60 Hz

LED	85 W	I		80	4000	•	S/EW	-	14969 lm	11593 lm	80	10	60000 h	○	<b>305935</b>
LED	85 W	I		80	3000	•	S/EW	-	14138 lm	11116 lm	80	10	60000 h	○	<b>305934</b>
LED	71 W	I		80	4000	•	S/EW	-	12800 lm	10350 lm	80	10	60000 h	○	<b>305705</b>
LED	71 W	I		80	3000	•	S/EW	-	12089 lm	9925 lm	80	10	60000 h	○	<b>305704</b>
LED	53 W	I		80	4000	•	S/EW	-	9762 lm	8150 lm	80	10	60000 h	○	<b>305699</b>
LED	53 W	I		80	3000	•	S/EW	-	9219 lm	7815 lm	80	10	60000 h	○	<b>305698</b>
LED	42 W	I		80	4000	•	S/EW	-	7765 lm	6550 lm	80	10	60000 h	○	<b>305693</b>
LED	42 W	I		80	3000	•	S/EW	-	7334 lm	6281 lm	80	10	60000 h	○	<b>305692</b>



## TRY S/EW EM

IK05 8J xx3

LAMPHOLDER	WATTAGE	CLASS		CRI	KELVIN	COS $\phi$ $\geq 0,9$	OPTIC	OPTIC BEAM	LIGHTSOURCE LUMEN OUTPUT	LUMINAIRE LUMEN OUTPUT	L	B	LIFETIME	COLOUR/ RAL	PART NUMBER
<b>Power LED - Emergency 220-240 V 50/60 Hz</b>															
LED	85 W	I		80	4000	•	S/EW	-	14969 lm	11593 lm	80	10	60000 h	○	<b>305933</b>
LED	85 W	I		80	3000	•	S/EW	-	14138 lm	11116 lm	80	10	60000 h	○	<b>305932</b>
LED	71 W	I		80	4000	•	S/EW	-	12800 lm	10350 lm	80	10	60000 h	○	<b>305691</b>
LED	71 W	I		80	3000	•	S/EW	-	12089 lm	9925 lm	80	10	60000 h	○	<b>305690</b>
LED	53 W	I		80	4000	•	S/EW	-	9762 lm	8150 lm	80	10	60000 h	○	<b>305689</b>
LED	53 W	I		80	3000	•	S/EW	-	9219 lm	7815 lm	80	10	60000 h	○	<b>305688</b>
LED	42 W	I		80	4000	•	S/EW	-	7765 lm	6550 lm	80	10	60000 h	○	<b>305687</b>
LED	42 W	I		80	3000	•	S/EW	-	7334 lm	6281 lm	80	10	60000 h	○	<b>305686</b>
LED	34 W	I		80	4000	•	S/EW	-	6292 lm	5390 lm	80	10	60000 h	○	<b>305931</b>
LED	34 W	I		80	3000	•	S/EW	-	5943 lm	5169 lm	80	10	60000 h	○	<b>305930</b>
LED	25 W	I		80	4000	•	S/EW	-	4815 lm	4021 lm	80	10	60000 h	○	<b>305685</b>
LED	25 W	I		80	3000	•	S/EW	-	4547 lm	3856 lm	80	10	60000 h	○	<b>305684</b>



## TRY 2A/M

IK05 8J xx3

LAMPHOLDER	WATTAGE	CLASS		CRI	KELVIN	COS $\phi$ $\geq 0,9$	OPTIC	OPTIC BEAM	LIGHTSOURCE LUMEN OUTPUT	LUMINAIRE LUMEN OUTPUT	L	B	LIFETIME	COLOUR/ RAL	PART NUMBER
<b>Power LED 220-240 V 50/60 Hz</b>															
LED	85 W	I		80	4000	•	2A/M	-	14969 lm	11620 lm	80	10	60000 h	○	<b>305929</b>
LED	85 W	I		80	3000	•	2A/M	-	14138 lm	11143 lm	80	10	60000 h	○	<b>305928</b>
LED	71 W	I		80	4000	•	2A/M	-	12800 lm	10374 lm	80	10	60000 h	○	<b>305683</b>
LED	71 W	I		80	3000	•	2A/M	-	12089 lm	9948 lm	80	10	60000 h	○	<b>305682</b>
LED	53 W	I		80	4000	•	2A/M	-	9762 lm	8169 lm	80	10	60000 h	○	<b>305677</b>
LED	53 W	I		80	3000	•	2A/M	-	9219 lm	7833 lm	80	10	60000 h	○	<b>305676</b>
LED	42 W	I		80	4000	•	2A/M	-	7765 lm	6565 lm	80	10	60000 h	○	<b>305671</b>
LED	42 W	I		80	3000	•	2A/M	-	7334 lm	6296 lm	80	10	60000 h	○	<b>305670</b>
LED	34 W	I		80	4000	•	2A/M	-	6292 lm	5403 lm	80	10	60000 h	○	<b>305923</b>
LED	34 W	I		80	3000	•	2A/M	-	5943 lm	5181 lm	80	10	60000 h	○	<b>305922</b>
LED	25 W	I		80	4000	•	2A/M	-	4815 lm	4031 lm	80	10	60000 h	○	<b>305665</b>
LED	25 W	I		80	3000	•	2A/M	-	4547 lm	3865 lm	80	10	60000 h	○	<b>305664</b>
<b>Power LED - dimmable DALI 220-240 V 50/60 Hz</b>															
LED	85 W	I		80	4000	•	2A/M	-	14969 lm	11620 lm	80	10	60000 h	○	<b>305939</b>
LED	85 W	I		80	3000	•	2A/M	-	14138 lm	11143 lm	80	10	60000 h	○	<b>305938</b>
LED	71 W	I		80	4000	•	2A/M	-	12800 lm	10374 lm	80	10	60000 h	○	<b>305709</b>
LED	71 W	I		80	3000	•	2A/M	-	12089 lm	9948 lm	80	10	60000 h	○	<b>305708</b>
LED	53 W	I		80	4000	•	2A/M	-	9762 lm	8169 lm	80	10	60000 h	○	<b>305703</b>
LED	53 W	I		80	3000	•	2A/M	-	9219 lm	7833 lm	80	10	60000 h	○	<b>305702</b>
LED	42 W	I		80	4000	•	2A/M	-	7765 lm	6565 lm	80	10	60000 h	○	<b>305697</b>
LED	42 W	I		80	3000	•	2A/M	-	7334 lm	6296 lm	80	10	60000 h	○	<b>305696</b>



## MANDATORY ACCESSORIES

DESCRIPTION	COLOR	PART NUMBER
<b>RAIL-A TRY 5P</b>		
RAIL-A TRY 5P - L 1435 mm (2 stainless steel brackets included)	<input type="radio"/>	<b>310554</b>
<b>RAIL-M TRY 5P</b>		
RAIL-M TRY 5P - L 1435 mm (2 stainless steel brackets included)	<input type="radio"/>	<b>310555</b>
RAIL-M TRY 5P - L 2870 mm (4 stainless steel brackets included)	<input type="radio"/>	<b>310556</b>
RAIL-M TRY 5P - L 4305 mm (6 stainless steel brackets included)	<input type="radio"/>	<b>310557</b>
<b>RAIL-A TRY 7P DALI</b>		
RAIL-A TRY 7P DALI - L 1435 mm (2 stainless steel brackets included)	<input type="radio"/>	<b>310558</b>
<b>RAIL-M TRY 7P DALI</b>		
RAIL-M TRY 7P DALI - L 1435 mm (2 stainless steel brackets included)	<input type="radio"/>	<b>310559</b>
RAIL-M TRY 7P DALI - L 2870 mm (4 stainless steel brackets included)	<input type="radio"/>	<b>310560</b>
RAIL-M TRY 7P DALI - L 4305 mm (6 stainless steel brackets included)	<input type="radio"/>	<b>310561</b>
<b>RAIL-A TRY 9P DALI/EM</b>		
RAIL-A TRY 9P DALI/EM - L 1435 mm (2 stainless steel brackets included)	<input type="radio"/>	<b>310934</b>
<b>RAIL-M TRY 9P DALI/EM</b>		
RAIL-M TRY 9P DALI/EM - L 1435 mm (2 stainless steel brackets included)	<input type="radio"/>	<b>310935</b>
RAIL-M TRY 9P DALI/EM - L 2870 mm (4 stainless steel brackets included)	<input type="radio"/>	<b>310936</b>
RAIL-M TRY 9P DALI/EM - L 4305 mm (6 stainless steel brackets included)	<input type="radio"/>	<b>310937</b>



RAIL 5P



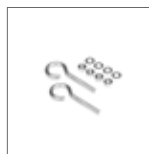
RAIL 7P DALI



RAIL 9P DALI / EM

## OPTIONAL ACCESSORIES

DESCRIPTION	COLOR	PART NUMBER
<b>TRY</b>		
Chain suspension		<b>310550</b>
Suspension kit 2 m		<b>14-00354</b>
Closing plates for RAIL (nr. 2)	<input type="radio"/>	<b>310551</b>
Cover PC RAIL - L 1435 mm	<input type="radio"/>	<b>310553</b>
<b>TRY TRACK SYSTEM</b>		
Rail system for floodlights	<input type="radio"/>	<b>310566</b>



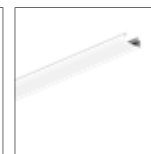
310550



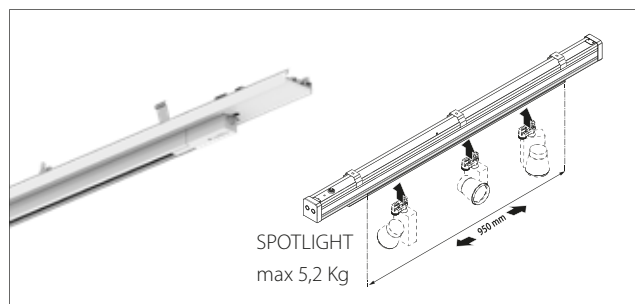
14-00354



310551



310553

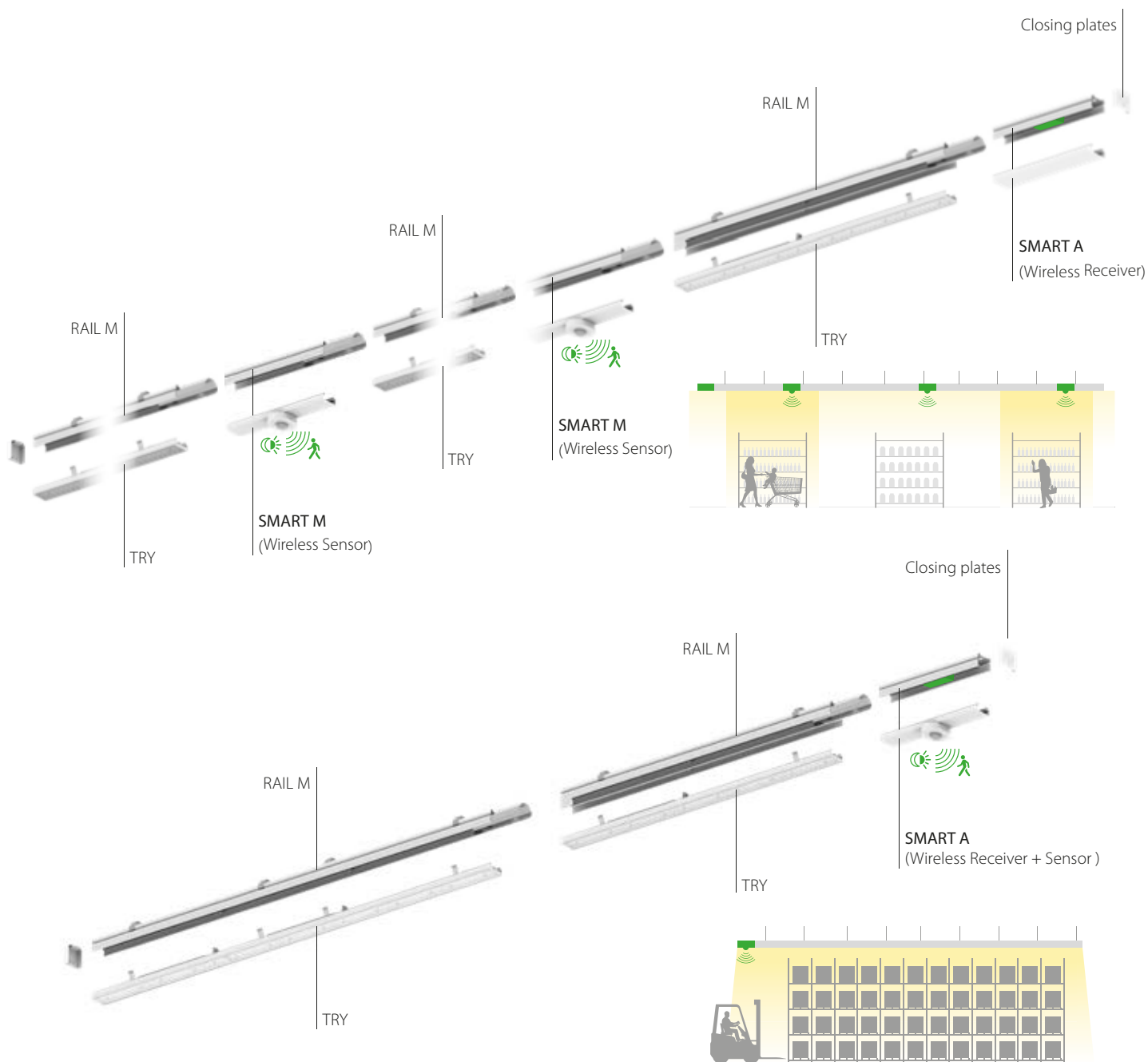


310566

## TRY SMART SYSTEM LIGHT CONTROL SYSTEM 868 MHz

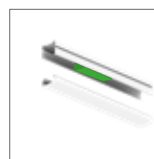
COMPLETE UNIT

SMART systems can be produced using the dedicated wireless KITS available as accessories, to be combined with the "7-pole DALI" RAIL and the DALI ceiling light.

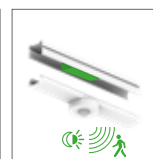


## SMART ACCESSORIES

DESCRIPTION	COLOR	PART NUMBER
<b>TRY SMART</b>		
Kit TRY SMART A receiver		<b>310568</b>
Kit TRY SMART A receiver + sensor		<b>310914</b>
Kit TRY SMART M sensor		<b>310567</b>
USB KEY		<b>14469720</b>
Trasmitter		<b>14469820</b>



310568



310914



310567



14469720



14469820