

Linien_T



A lighting system providing the **distribution of a LED light line**, in a functional **track retrofitting version**. An efficient reliable solution to illuminate large retail spaces and shops, it provides a wide range of lighting fixtures featuring discreet installation.

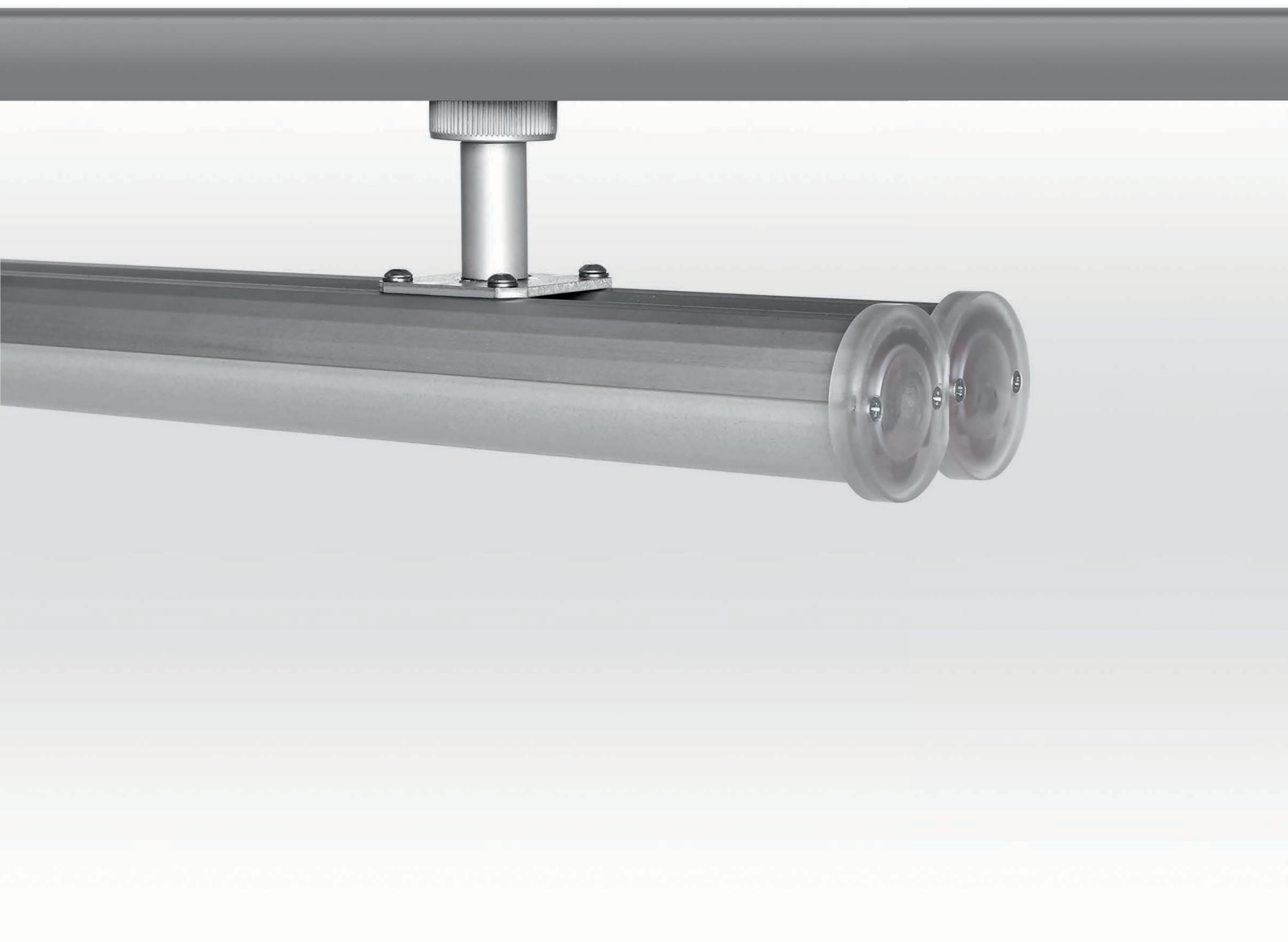
Passive heat dissipation

Extruded anodised aluminium casing

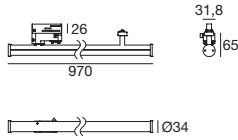
Light management

One or two tubular diffusers convey the whole light beam downwards, without waste

The mechanical coupling is only compatible with NORDIC or PROTEL three-phase track systems.



Linien_T1 | Track luminaires | 100-240 V | topLED 18 W 500 mA



type

Anod. Al. CRI 80 **96213**

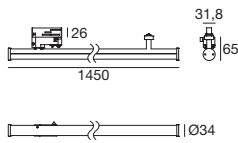
colour

3000 K 2208 lm **W**
4000 K 2400 lm **N**

optic

30° **30**

Linien_T1 | Track luminaires | 100-240 V | topLED 34 W 500 mA



type

Anod. Al. CRI 80 **96214**

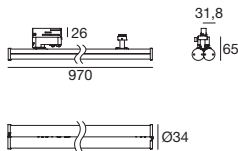
colour

3000 K 4031 lm **W**
4000 K 4371 lm **N**

optic

30° **30**

Linien_T2 | Track luminaires | 100-240 V | topLED 36 W 500 mA



type

Anod. Al. CRI 80 **96215**

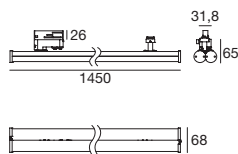
colour

3000 K 4416 lm **W**
4000 K 4800 lm **N**

optic

30° **30**

Linien_T2 | Track luminaires | 100-240 V | topLED 68 W 500 mA



type

Anod. Al. CRI 80 **96216**

colour

3000 K 8061 lm **W**
4000 K 8741 lm **N**

optic

30° **30**

