

LATERALO PLUS LED

SUSPENDED
LED LUMINAIRES
WITH BLG SYSTEM





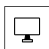

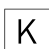




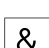




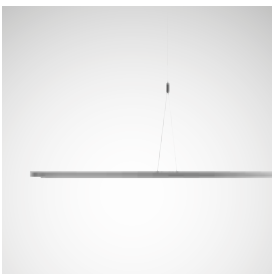
INNOVATIVE OPTIC FOR OUTSTANDING OFFICE LIGHT

- Unique quality of light due to intelligent combination of direct and indirect light components.
With configuration in two levels (Binary Light Guide System - BLGS) and in double quantity, prismatic points bring together the LED light to emit a new strength of light.
- Outstanding quality of light also with low ceiling heights due to especially wide indirect light component.
- Ultra-flat and without a visible power cable, the Lateralo Plus with transparent panel appears to float in the room.



-  
-  
-  
-   
-  > 50,000 h
-  switchable and dimmable (DALI)
-  ActiLume control device and sensor unit

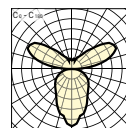
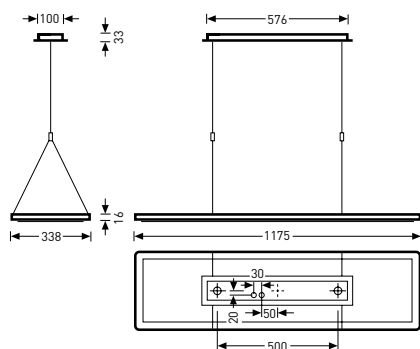
Power supply via filigree wire suspension



Intelligent bi-level networking of state-of-the-art prismatic technology



Exclusive suspended LED luminaires with Binary Light Guide System (BLGS) and Daylight/presence sensor



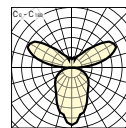
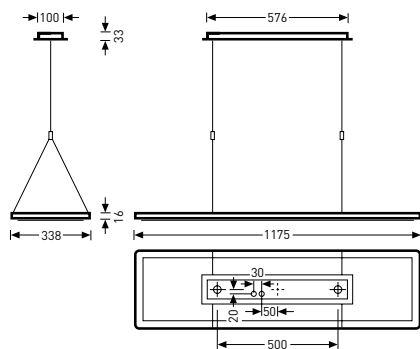
Reference	TOC	...ETDD		EEC	W	≈kg
-----------	-----	---------	--	-----	---	-----

White, LED, with daylight and presence sensor

• LateraloP H1 BLGS 6000-840...+AM2 01	63 643...	...51	6400 lm	A++/A+/A	58	9.2
---	-----------	-------	---------	----------	----	-----

• IK02/0.2 J 650 °C

Exclusive suspended LED luminaires with Binary Light Guide System (BLGS)



Reference	TOC	...ETDD		EEC	W	≈kg
-----------	-----	---------	--	-----	---	-----

White, LED

• LateraloP H1 BLGS 6000-830...01	64 879...	...51	6100 lm	A++/A+/A	58	8.5
--	-----------	-------	---------	----------	----	-----

LateraloP H1 BLGS 6000-840...01	63 487...	...51	6400 lm	A++/A+/A	58	8.5
--	-----------	-------	---------	----------	----	-----

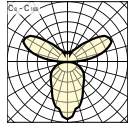
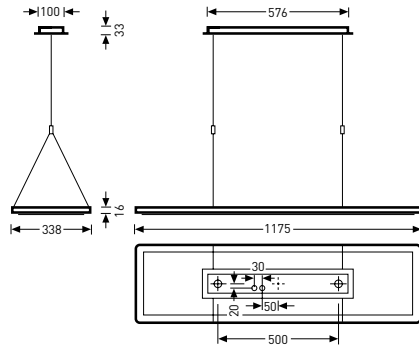
Silver-grey, LED

LateraloP H1 BLGS 6000-830...03	63 636...	...51	6100 lm	A++/A+/A	58	8.5
--	-----------	-------	---------	----------	----	-----

LateraloP H1 BLGS 6000-840...03	63 488...	...51	6400 lm	A++/A+/A	58	8.5
--	-----------	-------	---------	----------	----	-----

• IK02/0.2 J 650 °C

Exclusive suspended LED luminaires with Binary Light Guide System (BLGS) and extra high light output

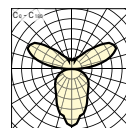
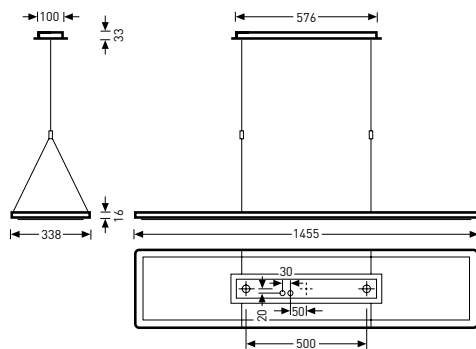


IP20

Reference	TOC	...ETDD		EEC	W	=kg
White, LED						
• LateraloP H1 BLGS 7500-830...01	64 880...	...51	7600 lm	A++/A+/A	75	8.5
LateraloP H1 BLGS 7500-840...01	63 650...	...51	8000 lm	A++/A+/A	75	8.5
Silver-grey, LED						
LateraloP H1 BLGS 7500-830...03	64 881...	...51	7600 lm	A++/A+/A	75	8.5
LateraloP H1 BLGS 7500-840...03	63 651...	...51	8000 lm	A++/A+/A	75	8.5

• IK02/0.2 J 650 °C

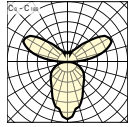
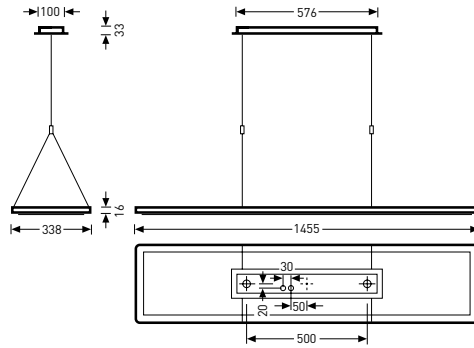
Exclusive suspended LED luminaires with Binary Light Guide System (BLGS)



Reference	TOC	...ETDD		EEC	W	≈kg
White, LED						
• LateraloP H2 BLGS 7500-830...01	63 637...	...51	7600 lm	A++/A+/A	72	9,5
LateraloP H2 BLGS 7500-840...01	63 489...	...51	8000 lm	A++/A+/A	72	9,5
Silver-grey, LED						
LateraloP H2 BLGS 7500-830...03	63 638...	...51	7600 lm	A++/A+/A	72	9,5
LateraloP H2 BLGS 7500-840...03	63 490...	...51	8000 lm	A++/A+/A	72	9,5

• IK02/0.2 J 650 °C

Exclusive suspended LED luminaires with Binary Light Guide System (BLGS) and extra high light output



Reference	TOC	...ETDD		EEC	W	=kg
White, LED						
• LateraloP H2 BLGS 9000-830...01	64 882...	...51	9100 lm	A++/A+/A	90	9.5
LateraloP H2 BLGS 9000-840...01	63 652...	...51	9600 lm	A++/A+/A	90	9.5
Silver-grey, LED						
LateraloP H2 BLGS 9000-830...03	64 883...	...51	9100 lm	A++/A+/A	90	9.5
LateraloP H2 BLGS 9000-840...03	63 653...	...51	9600 lm	A++/A+/A	90	9.5

• IK02/0.2 J 650 °C

Recessing accessories

Reference	TOC	Accessory description	=kg
LateraloP C	63 491 00	Fixing accessory for flush installation of the ceiling rose into cut ceilings.	1.4

Mounting plates

Reference	TOC	Accessory description	=kg
LateraloP MP M73	63 493 00	Accessory for reinforcing module plates in module ceiling modules 600	3.9
LateraloP MP M84	63 492 00	Accessory for reinforcing module plates in module ceiling modules 625	4.6

LATERALO RING LED

SUSPENDED ROUND
LED LUMINAIRES
WITH BLG SYSTEM





LED OPTIC AS A CIRCULAR SURFACE FOR PRESTIGIOUS ROOM LIGHT

- Outstanding visual comfort due to wide-area uniform light and ideally matched direct and indirect light components.
- Luminaire with particularly light-weight appearance due to transparent panel and suspension via three thin cords without visible power cable.
- Premium LEDs in combination with the Binary Light Guide System reduce energy overheads.
- Circular design for flexible planning and use and for attractive contrasting appearance.

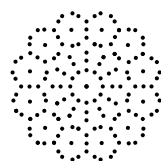


> 50,000 h



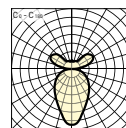
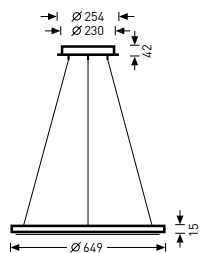
switchable and dimmable (DALI)

Concentric poetry



Binary Light Guide System

Suspended LED luminaires with direct and indirect light component, round construction



Reference	TOC	...ETDD		EEC	W	≈kg
White, LED						
• LateraloR H1 BLGS 6000-830...01	64 930...	...51	5700 lm	A++/A+/A	54	7.5
LateraloR H1 BLGS 6000-840...01	63 672...	...51	6000 lm	A++/A+/A	54	7.5
Silver-grey, LED						
LateraloR H1 BLGS 6000-830...03	64 931...	...51	5700 lm	A++/A+/A	54	7.5
LateraloR H1 BLGS 6000-840...03	63 673...	...51	6000 lm	A++/A+/A	54	7.5

• IK02/0.2 J 650 °C

Mounting accessories

Reference	TOC	Accessory description	≈kg
LateraloR C	63 674 00	Fixing accessory for flush installation of the ceiling rose into cut ceilings	0.5

Accessories

Reference	TOC	Accessory description	≈kg
LateraloR MP M73	63 676 00	Accessory for use in module ceilings, module 600	1.6
LateraloR MP M84	63 675 00	Accessory for use in module ceilings, module 625	1.7