

# FOCUS+ ZERO



- GR-94 / Metallic grey / Textured
- AN-96 / Anthracite gray / Textured
- WH-87 / White / Textured

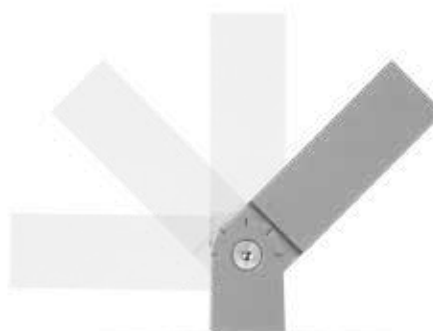


YouTube video



LED floodlight for indoor and outdoor lighting, comprising:

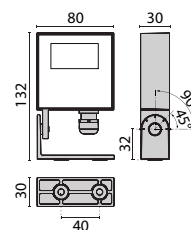
- Painted, die-cast aluminium housing, in compact size.
- Extra-clear flat tempered glass diffuser with internal screen printing
- Aluminium reflector
- Waterproof cable gland M16x1.5 for cables  $\varnothing 5$ - $\varnothing 10$  mm
- Mains voltage 220-240V 50/60Hz LED module protected against surges up to 500V
- Stainless steel locking screws
- Adjustable mounting bracket made of die-cast aluminium, painted
- Complete with 1 metre of cable H05RN-F 3G1 mm<sup>2</sup>
- The FOCUS+ZERO KIT version are complete with 3 metres of cable H05RN-F 3G1 mm<sup>2</sup>
- Technopolymer peg available for anchoring to the ground



## FOCUS+ ZERO S/EW

IK06 1J xx3

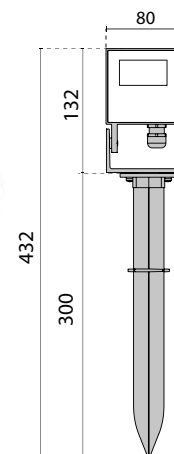
LAMPHOLDER	WATTAGE	CLASS		CRI	KELVIN	COS $\phi$ $\geq 0,9$	OPTIC	OPTIC BEAM	LIGHTSOURCE LUMEN OUTPUT	LUMINAIRE LUMEN OUTPUT	L	B	LIFETIME	COLOUR/ RAL	PART NUMBER
<b>Power LED 220-240 V 50/60 Hz</b>															
LED	10 W	I		80	4000	•	S/EW	-	1485 lm	634 lm	70	10	35000 h	●	<b>304609</b>
LED	10 W	I		80	3000	•	S/EW	-	1350 lm	611 lm	70	10	35000 h	●	<b>304608</b>
LED	10 W	I		80	4000	•	S/EW	-	1485 lm	634 lm	70	10	35000 h	●	<b>304611</b>
LED	10 W	I		80	3000	•	S/EW	-	1350 lm	611 lm	70	10	35000 h	●	<b>304610</b>
LED	10 W	I		80	4000	•	S/EW	-	1485 lm	634 lm	70	10	35000 h	○	<b>304690</b>
LED	10 W	I		80	3000	•	S/EW	-	1350 lm	611 lm	70	10	35000 h	○	<b>304689</b>



## FOCUS+ ZERO KIT S/EW

IK06 1J xx3

LAMPHOLDER	WATTAGE	CLASS		CRI	KELVIN	COS $\phi$ $\geq 0,9$	OPTIC	OPTIC BEAM	LIGHTSOURCE LUMEN OUTPUT	LUMINAIRE LUMEN OUTPUT	L	B	LIFETIME	COLOUR/ RAL	PART NUMBER
<b>Power LED 220-240 V 50/60 Hz</b>															
LED	10 W	I		80	4000	•	S/EW	-	1485 lm	634 lm	70	10	35000 h	●	<b>305509</b>
LED	10 W	I		80	3000	•	S/EW	-	1350 lm	611 lm	70	10	35000 h	●	<b>305508</b>



## OPTIONAL ACCESSORIES

DESCRIPTION	COLOR	PART NUMBER
<b>FOCUS+ ZERO</b>		
Ground spike	●	<b>700191</b>
<b>FOCUS+ ZERO - FOCUS+ ZERO KIT</b>		
Connection Kit Y 3-way D.7-10.5mm IP68		<b>310496</b>
Connection Kit Y 3-way D.14-17mm IP68		<b>310495</b>
Connection Kit D.7-10.5mm IP68.		<b>310513</b>



700191



310495 - Ø14-17 mm  
310496 - Ø7-10,5 mm



310513

# FOCUS+1



● AN-96 / Anthracite gray / Textured

LED floodlight for indoor and outdoor lighting, comprising:

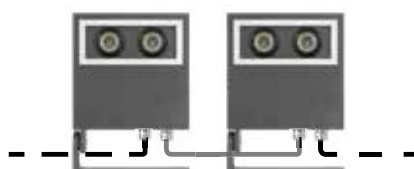
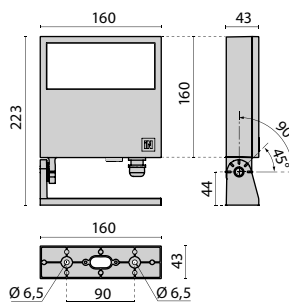
- Die-cast painted aluminium housing and trim
- Extra-clear flat tempered glass diffuser with internal screen printing
- Asymmetrical optic
- Elyptical lens
- Circular optic
- Silicone gasket
- Waterproof cable gland M16x1.5 for cables Ø 5- Ø 10 mm
- Dimmable 1-10 V ballast available upon request
- Standard power supply already included
- High power LEDs with next generation high intensity light beam
- Stainless steel locking screws
- Adjustable mounting bracket made of die-cast aluminium, painted
- Technopolymer peg available for anchoring to the ground



FOCUS+1  
A/M  
A/W



FOCUS+1  
C/I  
C/M  
C/W  
ELL



Factory wired for through wiring.

## FOCUS+1 A/M

IK06 1J xx3

LAMPHOLDER	WATTAGE	CLASS		CRI	KELVIN	COS $\Phi$ $\geq 0,9$	OPTIC	OPTIC BEAM	LIGHTSOURCE LUMEN OUTPUT	LUMINAIRE LUMEN OUTPUT	L	B	LIFETIME	COLOUR/ RAL	PART NUMBER
<b>Power LED 220-240 V 50/60 Hz</b>															
LED	18 W	I		70	4000	•	A/M	10°	1880 lm	1308 lm	70	10	60000 h	●	<b>305098</b>
LED	18 W	I		70	3000	•	A/M	10°	1680 lm	1170 lm	70	10	60000 h	●	<b>305097</b>
<b>Power LED - dimmable DALI 220-240 V 50/60 Hz</b>															
LED	18 W	I		70	4000	•	A/M	10°	1880 lm	1308 lm	70	10	60000 h	●	<b>305110</b>
LED	18 W	I		70	3000	•	A/M	10°	1680 lm	1170 lm	70	10	60000 h	●	<b>305109</b>



## FOCUS+1 A/W

IK06 1J xx3

LAMPHOLDER	WATTAGE	CLASS		CRI	KELVIN	COS $\Phi$ $\geq 0,9$	OPTIC	OPTIC BEAM	LIGHTSOURCE LUMEN OUTPUT	LUMINAIRE LUMEN OUTPUT	L	B	LIFETIME	COLOUR/ RAL	PART NUMBER
<b>Power LED 220-240 V 50/60 Hz</b>															
LED	18 W	I		70	4000	•	A/W	55°	1880 lm	1239 lm	70	10	60000 h	●	<b>305100</b>
LED	18 W	I		70	3000	•	A/W	55°	1680 lm	1108 lm	70	10	60000 h	●	<b>305099</b>
<b>Power LED - dimmable DALI 220-240 V 50/60 Hz</b>															
LED	18 W	I		70	4000	•	A/W	55°	1880 lm	1239 lm	70	10	60000 h	●	<b>305112</b>
LED	18 W	I		70	3000	•	A/W	55°	1680 lm	1108 lm	70	10	60000 h	●	<b>305111</b>

## FOCUS+1 C/I

IK06 1J xx3

LAMPHOLDER	WATTAGE	CLASS		CRI	KELVIN	COS $\Phi$ $\geq 0,9$	OPTIC	OPTIC BEAM	LIGHTSOURCE LUMEN OUTPUT	LUMINAIRE LUMEN OUTPUT	L	B	LIFETIME	COLOUR/ RAL	PART NUMBER
<b>Power LED 220-240 V 50/60 Hz</b>															
LED	18 W	I		70	4000	•	C/I	17°	1880 lm	1395 lm	70	10	60000 h	●	<b>305486</b>
LED	18 W	I		70	3000	•	C/I	17°	1680 lm	1247 lm	70	10	60000 h	●	<b>305485</b>
<b>Power LED - dimmable DALI 220-240 V 50/60 Hz</b>															
LED	18 W	I		70	4000	•	C/I	17°	1880 lm	1395 lm	70	10	60000 h	●	<b>305102</b>
LED	18 W	I		70	3000	•	C/I	17°	1680 lm	1247 lm	70	10	60000 h	●	<b>305101</b>



## FOCUS+1 C/M

IK06 1J xx3

LAMPHOLDER	WATTAGE	CLASS		CRI	KELVIN	COS $\Phi$ $\geq 0,9$	OPTIC	OPTIC BEAM	LIGHTSOURCE LUMEN OUTPUT	LUMINAIRE LUMEN OUTPUT	L	B	LIFETIME	COLOUR/ RAL	PART NUMBER
<b>Power LED 220-240 V 50/60 Hz</b>															
LED	18 W	I		70	4000	•	C/M	34°	1880 lm	1389 lm	70	10	60000 h	●	<b>305488</b>
LED	18 W	I		70	3000	•	C/M	34°	1680 lm	1242 lm	70	10	60000 h	●	<b>305487</b>
<b>Power LED - dimmable DALI 220-240 V 50/60 Hz</b>															
LED	18 W	I		70	4000	•	C/M	34°	1880 lm	1389 lm	70	10	60000 h	●	<b>305104</b>
LED	18 W	I		70	3000	•	C/M	34°	1680 lm	1242 lm	70	10	60000 h	●	<b>305103</b>

## FOCUS+1 C/W

IK06 1J xx3

LAMPHOLDER	WATTAGE	CLASS		CRI	KELVIN	COS $\Phi$ $\geq 0,9$	OPTIC	OPTIC BEAM	LIGHTSOURCE LUMEN OUTPUT	LUMINAIRE LUMEN OUTPUT	L	B	LIFETIME	COLOUR/ RAL	PART NUMBER
<b>Power LED 220-240 V 50/60 Hz</b>															
LED	18 W	I		70	4000	•	C/W	56°	1880 lm	1320 lm	70	10	60000 h	●	<b>305490</b>
LED	18 W	I		70	3000	•	C/W	56°	1680 lm	1180 lm	70	10	60000 h	●	<b>305489</b>
<b>Power LED - dimmable DALI 220-240 V 50/60 Hz</b>															
LED	18 W	I		70	4000	•	C/W	56°	1880 lm	1320 lm	70	10	60000 h	●	<b>305106</b>
LED	18 W	I		70	3000	•	C/W	56°	1680 lm	1180 lm	70	10	60000 h	●	<b>305105</b>

## FOCUS+1 ELL

IK06 1J xx3

LAMPHOLDER	WATTAGE	CLASS		CRI	KELVIN	COS $\Phi$ $\geq 0,9$	OPTIC	OPTIC BEAM	LIGHTSOURCE LUMEN OUTPUT	LUMINAIRE LUMEN OUTPUT	L	B	LIFETIME	COLOUR/ RAL	PART NUMBER
<b>Power LED 220-240 V 50/60 Hz</b>															
LED	18 W	I		70	4000	•	ELL	15°x40°	1880 lm	1462 lm	70	10	60000 h	●	<b>305096</b>
LED	18 W	I		70	3000	•	ELL	15°x40°	1680 lm	1307 lm	70	10	60000 h	●	<b>305095</b>
<b>Power LED - dimmable DALI 220-240 V 50/60 Hz</b>															
LED	18 W	I		70	4000	•	ELL	15°x40°	1880 lm	1462 lm	70	10	60000 h	●	<b>305108</b>
LED	18 W	I		70	3000	•	ELL	15°x40°	1680 lm	1307 lm	70	10	60000 h	●	<b>305107</b>

## OPTIONAL ACCESSORIES

DESCRIPTION	COLOR	PART NUMBER
FOCUS+ 1		
Ground spike	●	<b>700191</b>



700191

# FOCUS+2



● AN-96 / Anthracite gray / Textured

LED floodlight for indoor and outdoor lighting, comprising:

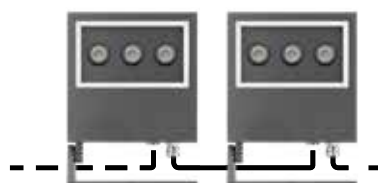
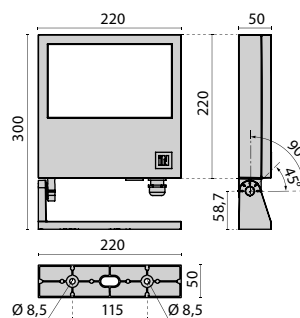
- Die-cast painted aluminium housing and trim
- Extra-clear flat tempered glass diffuser with internal screen printing
- Silicone gasket
- Adjustable mounting bracket made of die-cast aluminium, painted
- Stainless steel locking screws
- Cable gland M20x1.5 for cables Ø 7- Ø 12 mm
- High power LEDs with next generation high intensity light beam
- Asymmetrical optic
- Elyptical lens
- Circular optic
- Dimmable 1-10V ballast available upon request



FOCUS+2  
A/M  
A/W



FOCUS+2  
C/I  
C/M  
C/W  
ELL



Factory wired for through wiring.

## FOCUS+2 A/M

IK09 10J xx7

LAMPHOLDER	WATTAGE	CLASS		CRI	KELVIN	COS $\Phi$ $\geq 0,9$	OPTIC	OPTIC BEAM	LIGHTSOURCE LUMEN OUTPUT	LUMINAIRE LUMEN OUTPUT	L	B	LIFETIME	COLOUR/ RAL	PART NUMBER
<b>Power LED 220-240 V 50/60 Hz</b>															
LED	26 W	I		70	4000	•	A/M	10°	2820 lm	2069 lm	70	10	60000 h	●	<b>305170</b>
LED	26 W	I		70	3000	•	A/M	10°	2520 lm	1853 lm	70	10	60000 h	●	<b>305169</b>

### Power LED - dimmable DALI 220-240 V 50/60 Hz

LED	26 W	I		70	4000	•	A/M	10°	2820 lm	2069 lm	70	10	60000 h	●	<b>305182</b>
LED	26 W	I		70	3000	•	A/M	10°	2520 lm	1853 lm	70	10	60000 h	●	<b>305181</b>

## FOCUS+2 A/W

IK09 10J xx7

LAMPHOLDER	WATTAGE	CLASS		CRI	KELVIN	COS $\Phi$ $\geq 0,9$	OPTIC	OPTIC BEAM	LIGHTSOURCE LUMEN OUTPUT	LUMINAIRE LUMEN OUTPUT	L	B	LIFETIME	COLOUR/ RAL	PART NUMBER
<b>Power LED 220-240 V 50/60 Hz</b>															
LED	26 W	I		70	4000	•	A/W	55°	2820 lm	2074 lm	70	10	60000 h	●	<b>305172</b>
LED	26 W	I		70	3000	•	A/W	55°	2520 lm	1857 lm	70	10	60000 h	●	<b>305171</b>

### Power LED - dimmable DALI 220-240 V 50/60 Hz

LED	26 W	I		70	4000	•	A/W	55°	2820 lm	2074 lm	70	10	60000 h	●	<b>305184</b>
LED	26 W	I		70	3000	•	A/W	55°	2520 lm	1857 lm	70	10	60000 h	●	<b>305183</b>

## FOCUS+2 C/I

IK09 10J xx7

LAMPHOLDER	WATTAGE	CLASS		CRI	KELVIN	COS $\Phi$ $\geq 0,9$	OPTIC	OPTIC BEAM	LIGHTSOURCE LUMEN OUTPUT	LUMINAIRE LUMEN OUTPUT	L	B	LIFETIME	COLOUR/ RAL	PART NUMBER
<b>Power LED 220-240 V 50/60 Hz</b>															
LED	26 W	I		70	4000	•	C/I	17°	2820 lm	2189 lm	70	10	60000 h	●	<b>305162</b>
LED	26 W	I		70	3000	•	C/I	17°	2520 lm	1960 lm	70	10	60000 h	●	<b>305161</b>

### Power LED - dimmable DALI 220-240 V 50/60 Hz

LED	26 W	I		70	4000	•	C/I	17°	2820 lm	2189 lm	70	10	60000 h	●	<b>305174</b>
LED	26 W	I		70	3000	•	C/I	17°	2520 lm	1960 lm	70	10	60000 h	●	<b>305173</b>

## FOCUS+2 C/M

IK09 10J xx7

LAMPHOLDER	WATTAGE	CLASS		CRI	KELVIN	COS $\Phi$ $\geq 0,9$	OPTIC	OPTIC BEAM	LIGHTSOURCE LUMEN OUTPUT	LUMINAIRE LUMEN OUTPUT	L	B	LIFETIME	COLOUR/ RAL	PART NUMBER
<b>Power LED 220-240 V 50/60 Hz</b>															
LED	26 W	I		70	4000	•	C/M	34°	2820 lm	2181 lm	70	10	60000 h	●	<b>305164</b>
LED	26 W	I		70	3000	•	C/M	34°	2520 lm	1953 lm	70	10	60000 h	●	<b>305163</b>

### Power LED - dimmable DALI 220-240 V 50/60 Hz

LED	26 W	I		70	4000	•	C/M	34°	2820 lm	2181 lm	70	10	60000 h	●	<b>305176</b>
LED	26 W	I		70	3000	•	C/M	34°	2520 lm	1953 lm	70	10	60000 h	●	<b>305175</b>

## FOCUS+2 C/W

IK09 10J xx7

LAMPHOLDER	WATTAGE	CLASS		CRI	KELVIN	COS $\Phi$ $\geq 0,9$	OPTIC	OPTIC BEAM	LIGHTSOURCE LUMEN OUTPUT	LUMINAIRE LUMEN OUTPUT	L	B	LIFETIME	COLOUR/ RAL	PART NUMBER
<b>Power LED 220-240 V 50/60 Hz</b>															
LED	26 W	I		70	4000	•	C/W	56°	2820 lm	2037 lm	70	10	60000 h	●	<b>305166</b>
LED	26 W	I		70	3000	•	C/W	56°	2520 lm	1824 lm	70	10	60000 h	●	<b>305165</b>

### Power LED - dimmable DALI 220-240 V 50/60 Hz

LED	26 W	I		70	4000	•	C/W	56°	2820 lm	2037 lm	70	10	60000 h	●	<b>305178</b>
LED	26 W	I		70	3000	•	C/W	56°	2520 lm	1824 lm	70	10	60000 h	●	<b>305177</b>

## FOCUS+2 ELL

IK09 10J xx7

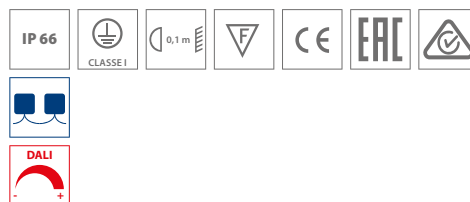
LAMPHOLDER	WATTAGE	CLASS		CRI	KELVIN	COS $\Phi$ $\geq 0,9$	OPTIC	OPTIC BEAM	LIGHTSOURCE LUMEN OUTPUT	LUMINAIRE LUMEN OUTPUT	L	B	LIFETIME	COLOUR/ RAL	PART NUMBER
<b>Power LED 220-240 V 50/60 Hz</b>															
LED	26 W	I		70	4000	•	ELL	15°x40°	2820 lm	2292 lm	70	10	60000 h	●	<b>305168</b>
LED	26 W	I		70	3000	•	ELL	15°x40°	2520 lm	2052 lm	70	10	60000 h	●	<b>305167</b>

### Power LED - dimmable DALI 220-240 V 50/60 Hz

LED	26 W	I		70	4000	•	ELL	15°x40°	2820 lm	2292 lm	70	10	60000 h	●	<b>305180</b>
LED	26 W	I		70	3000	•	ELL	15°x40°	2520 lm	2052 lm	70	10	60000 h	●	<b>305179</b>



# FOCUS+3



● AN-96 / Anthracite gray / Textured

LED floodlight for indoor and outdoor lighting, comprising:

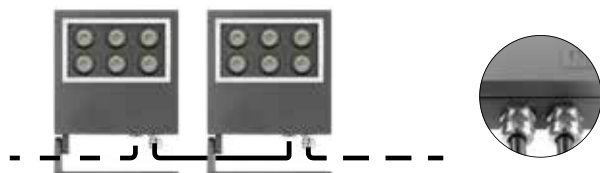
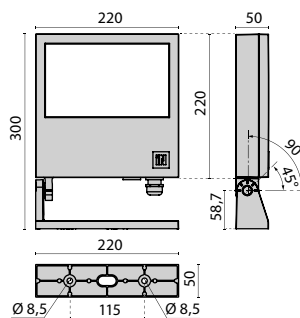
- Die-cast painted aluminium housing and trim
- Extra-clear flat tempered glass diffuser with internal screen printing
- Silicone gasket
- Adjustable mounting bracket made of die-cast aluminium, painted
- Stainless steel locking screws
- Cable gland M20x1.5 for cables Ø 7- Ø 12 mm
- High power LEDs with next generation high intensity light beam
- Asymmetrical optic
- Elyptical lens
- Circular optic
- Dimmable 1-10V ballast available upon request



FOCUS+3  
A/M  
A/W



FOCUS+3  
C/I  
C/M  
C/W  
ELL



Factory wired for through wiring.



## FOCUS+3 A/M

IK09 10J xx7

LAMPHOLDER	WATTAGE	CLASS		CRI	KELVIN	COS $\Phi$ $\geq 0,9$	OPTIC	OPTIC BEAM	LIGHTSOURCE LUMEN OUTPUT	LUMINAIRE LUMEN OUTPUT	L	B	LIFETIME	COLOUR/ RAL	PART NUMBER
<b>Power LED 220-240 V 50/60 Hz</b>															
LED	50 W	I		70	4000	•	A/M	10°	5640 lm	3807 lm	70	10	60000 h	●	<b>305242</b>
LED	50 W	I		70	3000	•	A/M	10°	5040 lm	3409 lm	70	10	60000 h	●	<b>305241</b>
<b>Power LED - dimmable DALI 220-240 V 50/60 Hz</b>															
LED	50 W	I		70	4000	•	A/M	10°	5640 lm	3807 lm	70	10	60000 h	●	<b>305254</b>
LED	50 W	I		70	3000	•	A/M	10°	5040 lm	3409 lm	70	10	60000 h	●	<b>305253</b>



## FOCUS+3 A/W

IK09 10J xx7

LAMPHOLDER	WATTAGE	CLASS		CRI	KELVIN	COS $\Phi$ $\geq 0,9$	OPTIC	OPTIC BEAM	LIGHTSOURCE LUMEN OUTPUT	LUMINAIRE LUMEN OUTPUT	L	B	LIFETIME	COLOUR/ RAL	PART NUMBER
<b>Power LED 220-240 V 50/60 Hz</b>															
LED	50 W	I		70	4000	•	A/W	55°	5640 lm	3820 lm	70	10	60000 h	●	<b>305244</b>
LED	50 W	I		70	3000	•	A/W	55°	5040 lm	3420 lm	70	10	60000 h	●	<b>305243</b>
<b>Power LED - dimmable DALI 220-240 V 50/60 Hz</b>															
LED	50 W	I		70	4000	•	A/W	55°	5640 lm	3820 lm	70	10	60000 h	●	<b>305256</b>
LED	50 W	I		70	3000	•	A/W	55°	5040 lm	3420 lm	70	10	60000 h	●	<b>305255</b>

## FOCUS+3 C/I

IK09 10J xx7

LAMPHOLDER	WATTAGE	CLASS		CRI	KELVIN	COS $\Phi$ $\geq 0,9$	OPTIC	OPTIC BEAM	LIGHTSOURCE LUMEN OUTPUT	LUMINAIRE LUMEN OUTPUT	L	B	LIFETIME	COLOUR/ RAL	PART NUMBER
<b>Power LED 220-240 V 50/60 Hz</b>															
LED	50 W	I		70	4000	•	C/I	17°	5640 lm	4199 lm	70	10	60000 h	●	<b>305234</b>
LED	50 W	I		70	3000	•	C/I	17°	5040 lm	3760 lm	70	10	60000 h	●	<b>305233</b>
<b>Power LED - dimmable DALI 220-240 V 50/60 Hz</b>															
LED	50 W	I		70	4000	•	C/I	17°	5640 lm	4199 lm	70	10	60000 h	●	<b>305246</b>
LED	50 W	I		70	3000	•	C/I	17°	5040 lm	3760 lm	70	10	60000 h	●	<b>305245</b>



## FOCUS+3 C/M

IK09 10J xx7

LAMPHOLDER	WATTAGE	CLASS		CRI	KELVIN	COS $\Phi$ $\geq 0,9$	OPTIC	OPTIC BEAM	LIGHTSOURCE LUMEN OUTPUT	LUMINAIRE LUMEN OUTPUT	L	B	LIFETIME	COLOUR/ RAL	PART NUMBER
<b>Power LED 220-240 V 50/60 Hz</b>															
LED	50 W	I		70	4000	•	C/M	34°	5640 lm	4114 lm	70	10	60000 h	●	<b>305236</b>
LED	50 W	I		70	3000	•	C/M	34°	5040 lm	3683 lm	70	10	60000 h	●	<b>305235</b>
<b>Power LED - dimmable DALI 220-240 V 50/60 Hz</b>															
LED	50 W	I		70	4000	•	C/M	34°	5640 lm	4114 lm	70	10	60000 h	●	<b>305248</b>
LED	50 W	I		70	3000	•	C/M	34°	5040 lm	3683 lm	70	10	60000 h	●	<b>305247</b>

## FOCUS+3 C/W

IK09 10J xx7

LAMPHOLDER	WATTAGE	CLASS		CRI	KELVIN	COS $\Phi$ $\geq 0,9$	OPTIC	OPTIC BEAM	LIGHTSOURCE LUMEN OUTPUT	LUMINAIRE LUMEN OUTPUT	L	B	LIFETIME	COLOUR/ RAL	PART NUMBER
<b>Power LED 220-240 V 50/60 Hz</b>															
LED	50 W	I		70	4000	•	C/W	56°	5640 lm	3852 lm	70	10	60000 h	●	<b>305238</b>
LED	50 W	I		70	3000	•	C/W	56°	5040 lm	3449 lm	70	10	60000 h	●	<b>305237</b>
<b>Power LED - dimmable DALI 220-240 V 50/60 Hz</b>															
LED	50 W	I		70	4000	•	C/W	56°	5640 lm	3852 lm	70	10	60000 h	●	<b>305250</b>
LED	50 W	I		70	3000	•	C/W	56°	5040 lm	3449 lm	70	10	60000 h	●	<b>305249</b>

## FOCUS+3 ELL

IK09 10J xx7

LAMPHOLDER	WATTAGE	CLASS		CRI	KELVIN	COS $\Phi$ $\geq 0,9$	OPTIC	OPTIC BEAM	LIGHTSOURCE LUMEN OUTPUT	LUMINAIRE LUMEN OUTPUT	L	B	LIFETIME	COLOUR/ RAL	PART NUMBER
<b>Power LED 220-240 V 50/60 Hz</b>															
LED	50 W	I		70	4000	•	ELL	15°x45°	5640 lm	4428 lm	70	10	60000 h	●	<b>305240</b>
LED	50 W	I		70	3000	•	ELL	15°x45°	5040 lm	3964 lm	70	10	60000 h	●	<b>305239</b>
<b>Power LED - dimmable DALI 220-240 V 50/60 Hz</b>															
LED	50 W	I		70	4000	•	ELL	15°x40°	5640 lm	4428 lm	70	10	60000 h	●	<b>305252</b>
LED	50 W	I		70	3000	•	ELL	15°x40°	5040 lm	3964 lm	70	10	60000 h	●	<b>305251</b>