

# archiline\_twin



An evolution of the Archiline range of products to which it resembles in terms of aesthetics and construction concept, Archiline\_Twin mainly stands out for its end use, in that it is an atypical projector.

The article combines the wallwashing effect, which is typical of the linear bar with the pointing flexibility of the projector and beam control through the darklight integrated in each single lens: Archiline\_Twin draws the best from both types to obtain an innovative and extremely flexible lighting system. In addition, the choice to use orientable linear modules independently allows to vary lighting effects, so as to obtain pointing angles and different scenarios on the wall to advance even further with the light beam, thanks to the two distances from the wall.

Upon request, the article comes with dual optics.

## Materials

Anodised aluminium 6060 alloy body  
Extra-light tempered glass diffuser



OVP

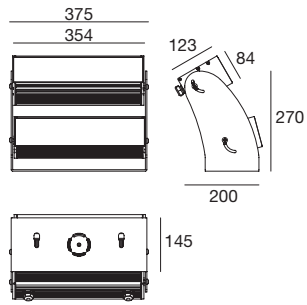


TCS system

859

MAESTRO 2.0

Archiline\_Twin | Linear profiles | 190-250V | powerLED 78 W AC



CRI 80

Black	<b>81483</b>	2700K	5061 lm	<b>M</b>	Spot	<b>15</b>
		3000K	5442 lm	<b>W</b>	Flood	<b>30</b>
		4000K	5874 lm	<b>N</b>	Elliptic	<b>25</b>
Black	<b>81484</b>	2700K	5061 lm	<b>M</b>	Narrow Spot	<b>06</b>
		3000K	5442 lm	<b>W</b>		
		4000K	5874 lm	<b>N</b>		

