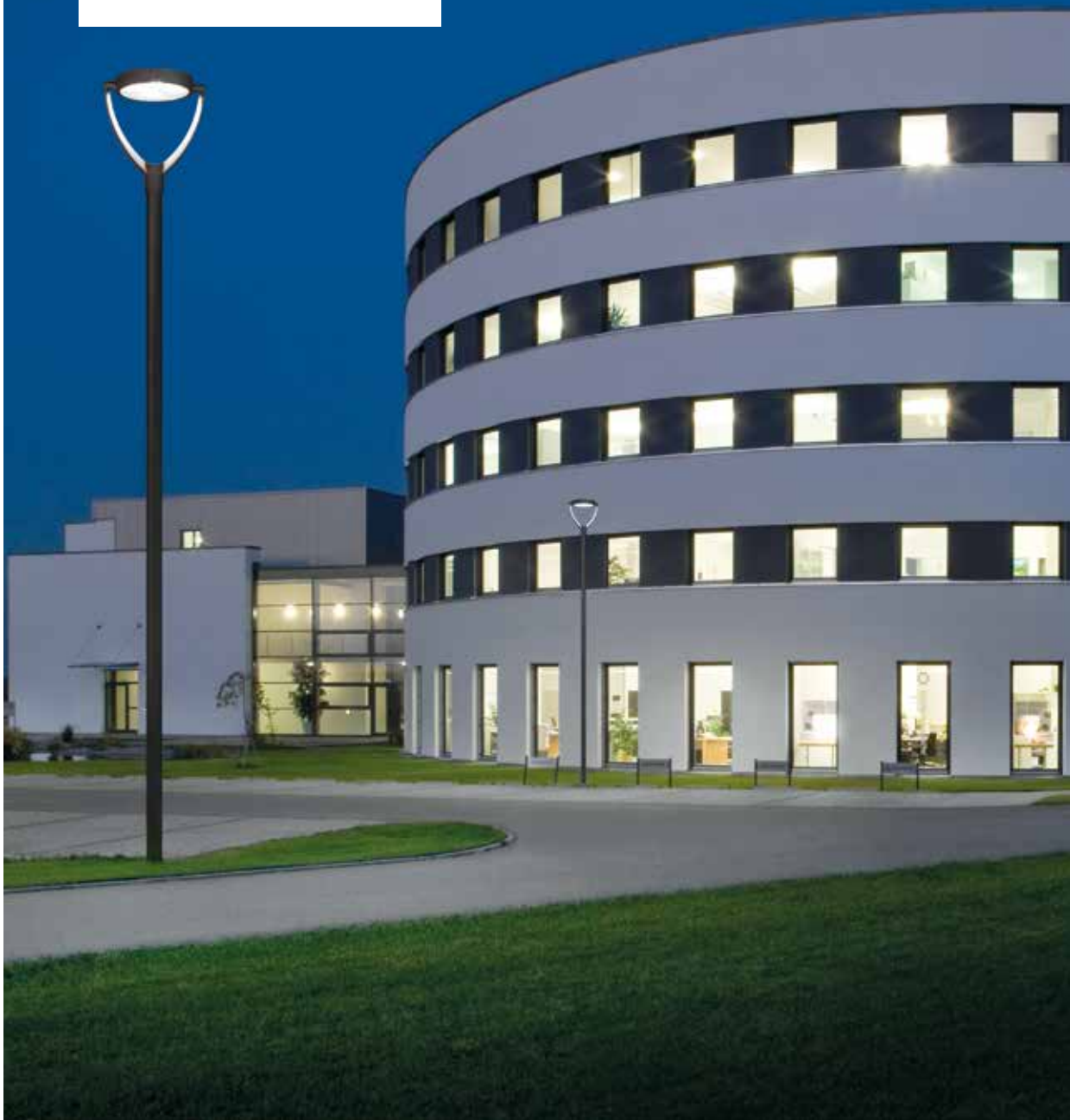


# PUBLISCA LED

DECORATIVE POST-TOP  
LED LUMINAIRES



## THE PUBLIC'S FAVOURITE WITH RELIABLE TECHNOLOGY

- Various light colours, mounting heights, luminaire luminous flux levels, distribution characteristic and designs provide perfect light for paths, residential roads, squares and urban districts.
- The modular design enables all photometric parameters to be precisely modified to the application area.
- With its tiltable luminaire head the Publisca LED can be stored to save space and is transported simply, efficiently and with environment protection.



3-5 m



> 80,000 h



switchable and dimmable (DALI), switchable



Power reduction via control phase (LR) or self-regulating (LRA)

MLT: Multi-Lens Technology



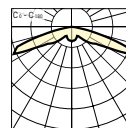
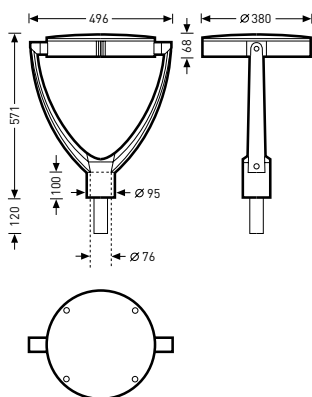
Freely accessible connection module



Two design variants

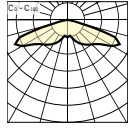
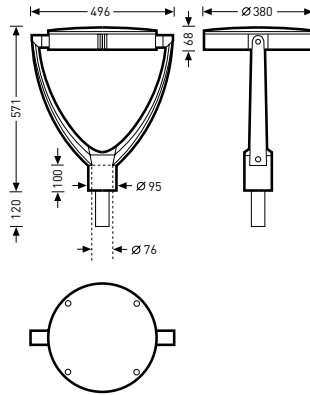


## Decorative post-top luminaires with parabolic post mounting element (P1), asymmetric wide distribution (AB)



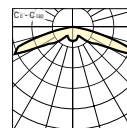
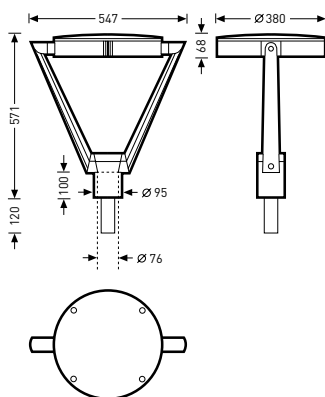
Reference	TOC	...ETDD	...ET		W	≈kg
LED						
Publisca P1-AB/1500-740...26	62 355...	...51	...40	1500 lm	19	9.0
Publisca P1-AB/2000-730...26	61 337...	...51	...40	2000 lm	27	9.0
Publisca P1-AB/2000-740...26	61 338...	...51	...40	2300 lm	27	9.0
Publisca P1-AB/3000-730...26	61 339...	...51	...40	3000 lm	38	9.0
Publisca P1-AB/3000-740...26	61 340...	...51	...40	3300 lm	38	9.0
Publisca P1-AB/4000-730...26	61 341...	...51	...40	4000 lm	57	9.1
Publisca P1-AB/5000-740...26	61 342...	...51	...40	4300 lm	57	9.1
LED, with power reduction (LR)						
Publisca P1-LR-AB/1500-740...26	62 356...	-	...40	1500 lm	19	9.1
Publisca P1-LR-AB/2000-730...26	61 343...	-	...40	2000 lm	27	9.1
Publisca P1-LR-AB/2000-740...26	61 344...	-	...40	2300 lm	27	9.1
Publisca P1-LR-AB/3000-730...26	61 345...	-	...40	3000 lm	38	9.1
Publisca P1-LR-AB/3000-740...26	61 346...	-	...40	3300 lm	38	9.1
Publisca P1-LR-AB/4000-730...26	61 347...	-	...40	4000 lm	57	9.2
Publisca P1-LR-AB/5000-740...26	61 348...	-	...40	4300 lm	57	9.2
LED, with power reduction, self-regulating (LRA)						
Publisca P1-LRA-AB/1500-740...26	62 357...	-	...40	1500 lm	19	9.1
Publisca P1-LRA-AB/2000-730...26	61 355...	-	...40	2000 lm	27	9.1
Publisca P1-LRA-AB/2000-740...26	61 356...	-	...40	2300 lm	27	9.1
Publisca P1-LRA-AB/3000-730...26	61 357...	-	...40	3000 lm	38	9.1
Publisca P1-LRA-AB/3000-740...26	61 358...	-	...40	3300 lm	38	9.1
Publisca P1-LRA-AB/4000-730...26	61 359...	-	...40	4000 lm	57	9.2
Publisca P1-LRA-AB/5000-740...26	61 360...	-	...40	4300 lm	57	9.2

## Decorative post-top luminaires with parabolic post mounting element (P1), rotationally symmetric wide distribution (RB)



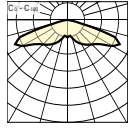
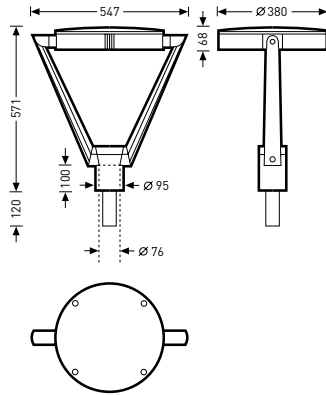
Reference	TOC	...ETDD	...ET		W	=kg
LED						
Publisca P1-RB/2000-730...26	61 367...	...51	...40	2100 lm	27	9.0
Publisca P1-RB/2000-740...26	61 368...	...51	...40	2100 lm	25	9.0
Publisca P1-RB/3000-730...26	61 369...	...51	...40	3100 lm	38	9.0
Publisca P1-RB/3000-740...26	61 370...	...51	...40	3400 lm	38	9.0
Publisca P1-RB/4000-730...26	61 371...	...51	...40	4100 lm	57	9.1
Publisca P1-RB/5000-740...26	61 372...	...51	...40	4400 lm	57	9.1
LED, with power reduction (LR)						
Publisca P1-LR-RB/2000-730...26	61 349...	-	...40	2100 lm	27	9.1
Publisca P1-LR-RB/2000-740...26	61 350...	-	...40	2100 lm	25	9.1
Publisca P1-LR-RB/3000-730...26	61 351...	-	...40	3100 lm	38	9.1
Publisca P1-LR-RB/3000-740...26	61 352...	-	...40	3400 lm	38	9.1
Publisca P1-LR-RB/4000-730...26	61 353...	-	...40	4100 lm	57	9.2
Publisca P1-LR-RB/5000-740...26	61 354...	-	...40	4400 lm	57	9.2
LED, with power reduction, self-regulating (LRA)						
Publisca P1-LRA-RB/2000-730...26	61 361...	-	...40	2100 lm	27	9.1
Publisca P1-LRA-RB/2000-740...26	61 362...	-	...40	2100 lm	25	9.1
Publisca P1-LRA-RB/3000-730...26	61 363...	-	...40	3100 lm	38	9.1
Publisca P1-LRA-RB/3000-740...26	61 364...	-	...40	3400 lm	38	9.1
Publisca P1-LRA-RB/4000-730...26	61 365...	-	...40	4100 lm	57	9.2
Publisca P1-LRA-RB/5000-740...26	61 366...	-	...40	4400 lm	57	9.2

## Decorative post-top luminaires with trapezoid post mounting element (P2), asymmetric wide distribution (AB)



Reference	TOC	...ETDD	...ET		W	≈kg
LED						
Publisca P2-AB/1500-740...26	62 358...	...51	...40	1500 lm	19	9.6
Publisca P2-AB/2000-730...26	61 373...	...51	...40	2000 lm	27	9.6
Publisca P2-AB/2000-740...26	61 374...	...51	...40	2300 lm	27	9.6
Publisca P2-AB/3000-730...26	61 375...	...51	...40	3000 lm	38	9.6
Publisca P2-AB/3000-740...26	61 376...	...51	...40	3300 lm	38	9.6
Publisca P2-AB/4000-730...26	61 377...	...51	...40	4000 lm	57	9.7
Publisca P2-AB/5000-740...26	61 378...	...51	...40	4300 lm	57	9.7
LED, with power reduction (LR)						
Publisca P2-LR-AB/1500-740...26	62 359...	-	...40	1500 lm	19	9.7
Publisca P2-LR-AB/2000-730...26	61 379...	-	...40	2000 lm	27	9.7
Publisca P2-LR-AB/2000-740...26	61 380...	-	...40	2300 lm	27	9.7
Publisca P2-LR-AB/3000-730...26	61 381...	-	...40	3000 lm	38	9.7
Publisca P2-LR-AB/3000-740...26	61 382...	-	...40	3300 lm	38	9.7
Publisca P2-LR-AB/4000-730...26	61 383...	-	...40	4000 lm	57	9.8
Publisca P2-LR-AB/5000-740...26	61 384...	-	...40	4300 lm	57	9.8
LED, with power reduction, self-regulating (LRA)						
Publisca P2-LRA-AB/1500-740...26	62 360...	-	...40	1500 lm	19	9.7
Publisca P2-LRA-AB/2000-730...26	61 391...	-	...40	2000 lm	27	9.7
Publisca P2-LRA-AB/2000-740...26	61 392...	-	...40	2300 lm	27	9.7
Publisca P2-LRA-AB/3000-730...26	61 393...	-	...40	3000 lm	38	9.7
Publisca P2-LRA-AB/3000-740...26	61 394...	-	...40	3300 lm	38	9.7
Publisca P2-LRA-AB/4000-730...26	61 395...	-	...40	4000 lm	57	9.8
Publisca P2-LRA-AB/5000-740...26	61 396...	-	...40	4300 lm	57	9.8

## Decorative post-top luminaires with trapezoid post mounting element (P2), rotationally symmetric wide distribution (RB)



Reference	TOC	...ETDD	...ET		W	=kg
LED						
Publisca P2-RB/2000-730...26	61 403...	...51	...40	2100 lm	27	9.6
Publisca P2-RB/2000-740...26	61 404...	...51	...40	2100 lm	25	9.6
Publisca P2-RB/3000-730...26	61 405...	...51	...40	3100 lm	38	9.6
Publisca P2-RB/3000-740...26	61 406...	...51	...40	3400 lm	38	9.6
Publisca P2-RB/4000-730...26	61 407...	...51	...40	4100 lm	57	9.7
Publisca P2-RB/5000-740...26	61 408...	...51	...40	4400 lm	57	9.7
LED, with power reduction (LR)						
Publisca P2-LR-RB/2000-730...26	61 385...	-	...40	2100 lm	27	9.7
Publisca P2-LR-RB/2000-740...26	61 386...	-	...40	2100 lm	25	9.7
Publisca P2-LR-RB/3000-730...26	61 387...	-	...40	3100 lm	38	9.7
Publisca P2-LR-RB/3000-740...26	61 388...	-	...40	3400 lm	38	9.7
Publisca P2-LR-RB/4000-730...26	61 389...	-	...40	4100 lm	57	9.8
Publisca P2-LR-RB/5000-740...26	61 390...	-	...40	4400 lm	57	9.8
LED, with power reduction, self-regulating (LRA)						
Publisca P2-LRA-RB/2000-730...26	61 397...	-	...40	2100 lm	27	9.7
Publisca P2-LRA-RB/2000-740...26	61 398...	-	...40	2100 lm	25	9.7
Publisca P2-LRA-RB/3000-730...26	61 399...	-	...40	3100 lm	38	9.7
Publisca P2-LRA-RB/3000-740...26	61 400...	-	...40	3400 lm	38	9.7
Publisca P2-LRA-RB/4000-730...26	61 401...	-	...40	4100 lm	57	9.8
Publisca P2-LRA-RB/5000-740...26	61 402...	-	...40	4400 lm	57	9.8

### Reduction pieces

Reference	TOC	Accessory description	=kg
0970/60	22 234 00	Reduction piece, for post spigot Ø 60 mm	0.1